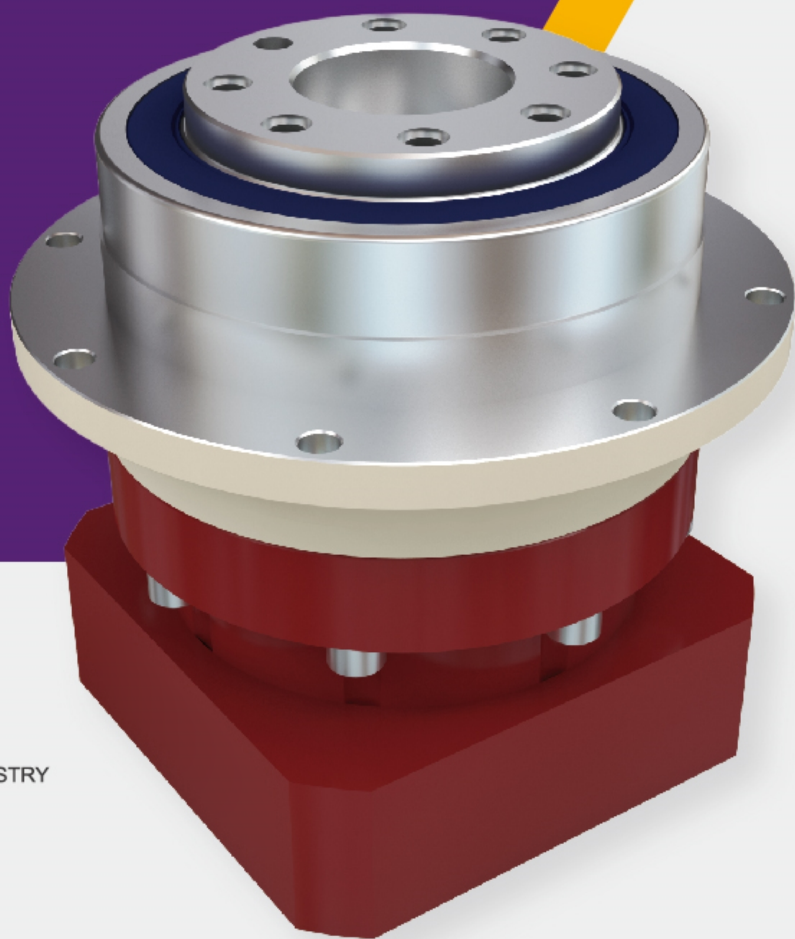


BORN FOR  
PRECISION  
為精密而生



傳動裝置系統供應商  
樹立減速機行業新標桿

TRANSMISSION SYSTEM SUPPLIERS  
SET A NEW BENCHMARK FOR THE REDUCER INDUSTRY

東莞市精杰機電有限公司  
DONGGUAN JINGJIE ELECTROMECHANICAL CO., LTD



## FKS系列—合理的经济选择

FKS SERIES—RATIONAL ECONOMICAL CHOICE

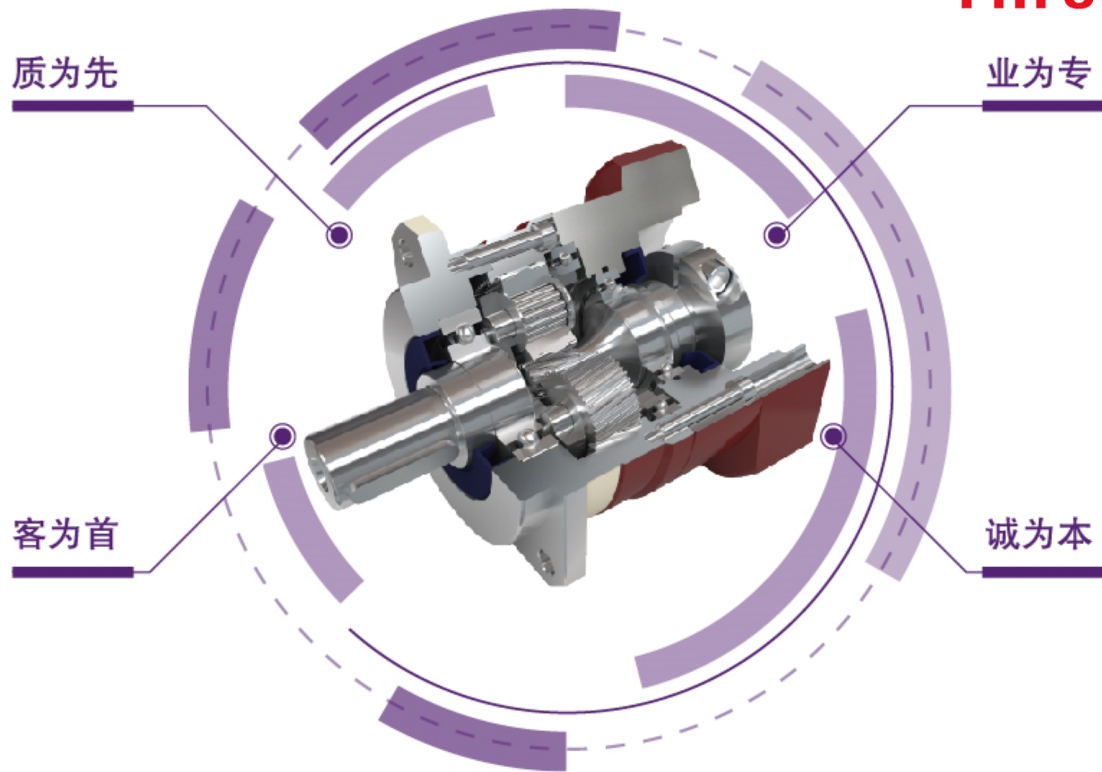
与其他系列行星齿轮减速机相比，FKS系列行星齿轮减速机更加经济适用。它在任何领域都能提供几乎满足所有需求的最经济型解决方案。

Compared with other series of planetary gear reducers, the FKS series of planetary gear reducers are more economical and applicable. It can provide the most economical solution that meets almost all needs in any field.

### 技术参数\* TECHNICAL PARAMETERS

回程间隙 Return clearance	arcmin	1~7
速比 Speed ratio	i	3~100
额定输出力矩 Rated output torque	Nm	40~2000
使用温度°C Using temperature°C	°C	-10~90
噪音 The noise	dB(A)	58~70
工作效率 The work efficiency	%	97
工作寿命 The working life	h	20000

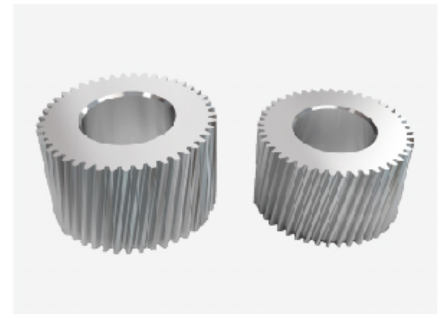




FKS系列—合理的经济选择  
FKS series-rational economical choice



输出法兰通孔设计, 容易安装  
Output flange through hole design, easy to install



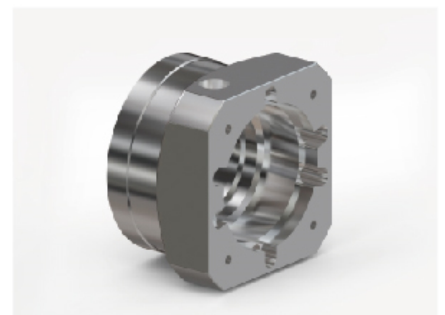
齿面宽, 参数做大, 实现高强度  
The tooth surface is wide, the parameters are larger, and the high strength is achieved



输出轴一体化设计, 确保精度和同心度  
Output shaft integrated design to ensure accuracy and concentricity



宽齿面宽, 结构最优化设计  
Wide tooth surface width, structural optimization design



优美的一体化输入连接法兰, 强度高  
Elegant integrated input flange with high strength

减速机性能资料 REDUCER PERFORMANCE DATA

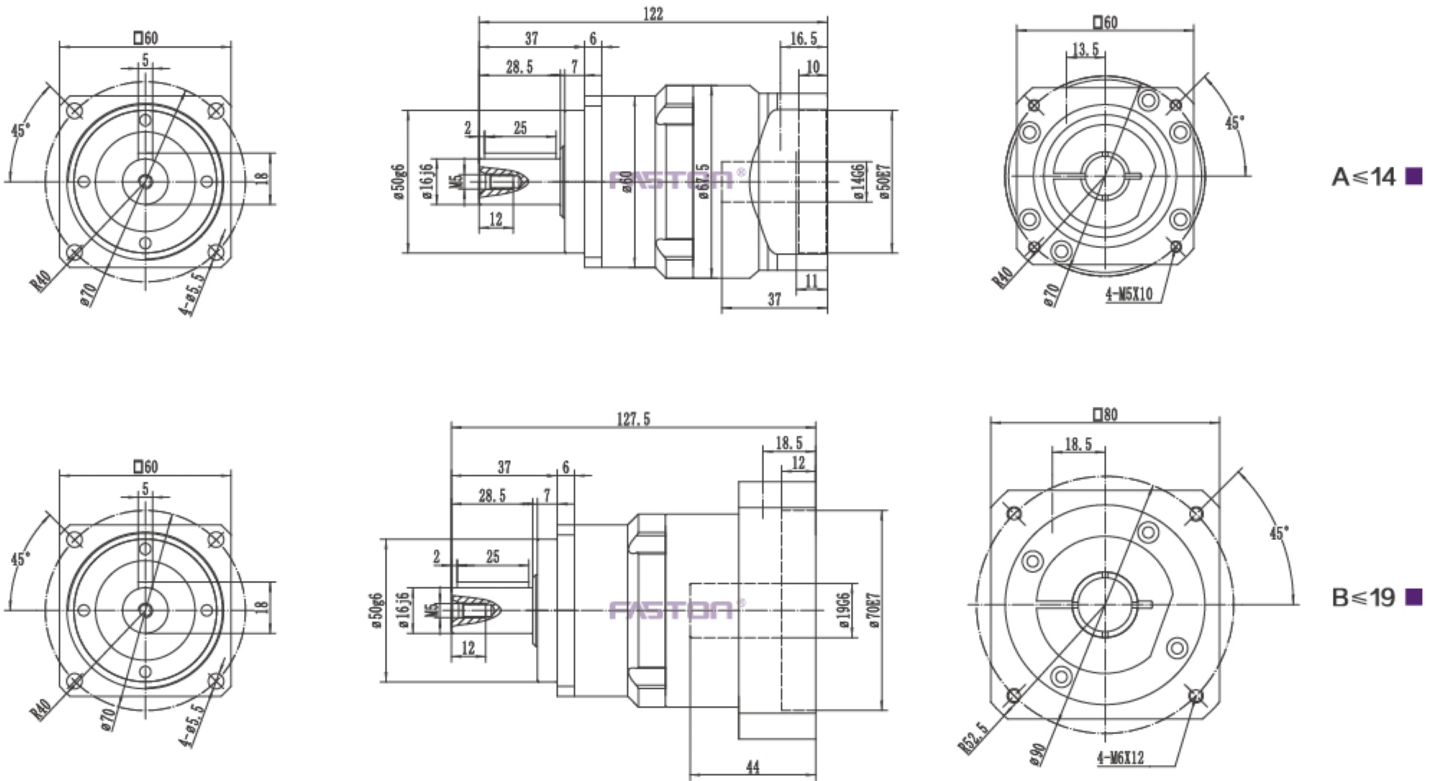
FKS060			单级/One-stage								双级/Two-stage								
速比 <sup>(1)</sup> Speed ratio	i		3	4	5	6	7	8	9	10	12	16	20	25	35	40	50	70	100
额定输出力矩( $n_{1N}$ ) Rated output torque	$T_{2N}$	Nm	55	50	50	55	50	45	40	40	55	50	50	60	50	50	55	50	40
紧急制动力矩 Emergency braking torque (在减速机使用寿命内允许1000次) (1000 times during the working life of the reducer)	$T_{2NOT}$	Nm	3倍额定输出力矩/3 Times rated output torque																
额定输入转速( $T_{2N}$ , 20°C环境温度) Rated input speed ( $T_{2N}$ , 20 °C ambient temperature)	$n_{1N}$	rpm	4000																
最大输入转速 Maximum input speed	$n_{1max}$	rpm	8000																
空载力矩( $n_l=3000rpm$ , 20°C环境温度) No-load torque ( $n_l=3000 RPM$ , 20°C ambient temperature)	$T_{012}$	Nm	0.9	0.8	0.8	0.7	0.6	0.5	0.5	0.4	0.6	0.6	0.55	0.5	0.5	0.4	0.4	0.35	0.3
回程间隙PS Backlash PS	$j_t$	Arcmin	≤1								≤2								
回程间隙P0 Backlash P0	$j_t$	Arcmin	≤2								≤3								
回程间隙P1 Backlash P1	$j_t$	Arcmin	≤3								≤5								
回程间隙P2 Backlash P2	$j_t$	Arcmin	≤5								≤7								
扭转刚度 Torsional stiffness	$C_{t21}$	Nm/Arcmin	3.5																
最大轴向力 <sup>(2)</sup> Maximum axial force	$F_{2AMax}$	N	630																
最大径向力 <sup>(2)</sup> Maximum radial force	$F_{2RMax}$	N	1100																
工作效率 Work efficiency	$\eta$	%	97								94								
工作寿命 <sup>(3)</sup> Service life	$L_n$	h	20000																
噪音( $i=10$ 和 $n_l=3000rpm$ , 空载) Noise( $i=10$ and $n_l=3000rpm$ , no load)	$L_{PA}$	DB(A)	≤58																
重量 Weight	m	Kg	1.3								1.8								
安装方向 Installation direction			任意方向/Any direction																
使用温度 <sup>(4)</sup> Operating temperature	°C		-10-90																
润滑方式 Lubrication method			终生润滑/Lifetime lubrication																
防护等级 Protection level			IP65																
转动惯量 Moment of inertia 按减速机输入直径(mm) Input diameter based on the reducer(mm)	11	$J_1$	Kgcm <sup>2</sup>	0.25	0.2	0.2	0.15	0.13	0.12	0.1	0.1	0.1	0.1	0.09	0.08	0.08	0.08	0.08	0.08
	14	$J_1$	Kgcm <sup>2</sup>	0.28	0.25	0.25	0.22	0.18	0.17	0.15	0.14	0.17	0.17	0.17	0.16	0.16	0.16	0.16	0.15
	19	$J_1$	Kgcm <sup>2</sup>	0.65	0.6	0.55	0.55	0.52	0.5	0.5	0.48	0.18	0.18	0.16	0.15	0.15	0.15	0.15	0.14

1. 可选其他减速比  
2. 输出轴中心点  
3. 连续运转时, 使用寿命为10000h  
4. 对温度有特殊要求请与法斯頓联系

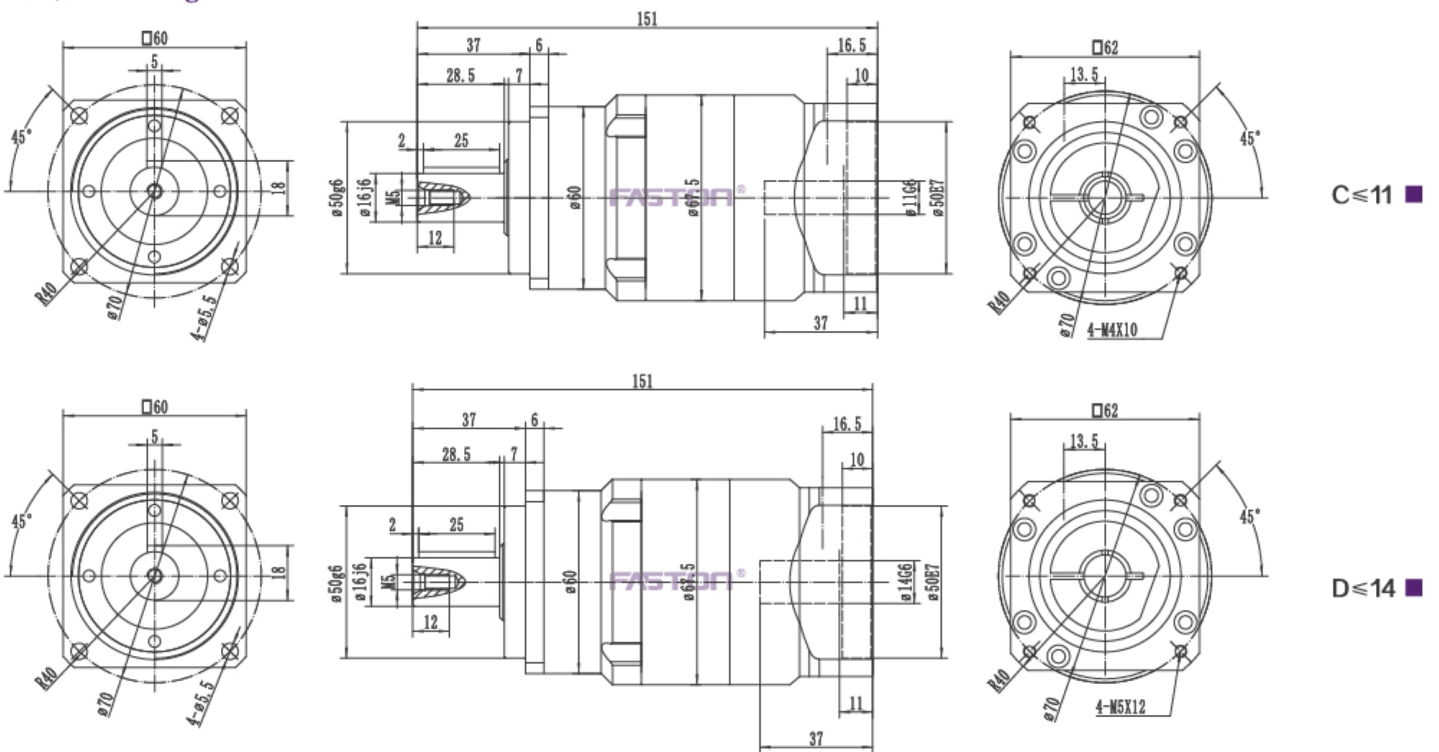
1. Optional other ratio  
2. Output shaft center point  
3. Service life of 10000h in continuous operation  
4. For special requirements on temperature, please contact FASTON

## 减速机性能资料 REDUCER PERFORMANCE DATA

### 单级/One-stage



### 双级/Two-stage



- (1) 请参照马达轴径尺寸
  - (2) 马达轴最长长度, 如有特殊的马达轴尺寸, 请与法斯頓联系
  - (3) 减速机输入端尺寸, 依马达的法兰面而定
- \*如无适合的尺寸, 请与法斯頓联系

- (1) Please refer to the motor shaft diameter
  - (2) Motor shaft length, for special motor shaft size, please contact FASTON
  - (3) Reducer input size, depending on the flange surface of the motor
- \*If no suitable size available, please contact FASTON

减速机性能资料 REDUCER PERFORMANCE DATA

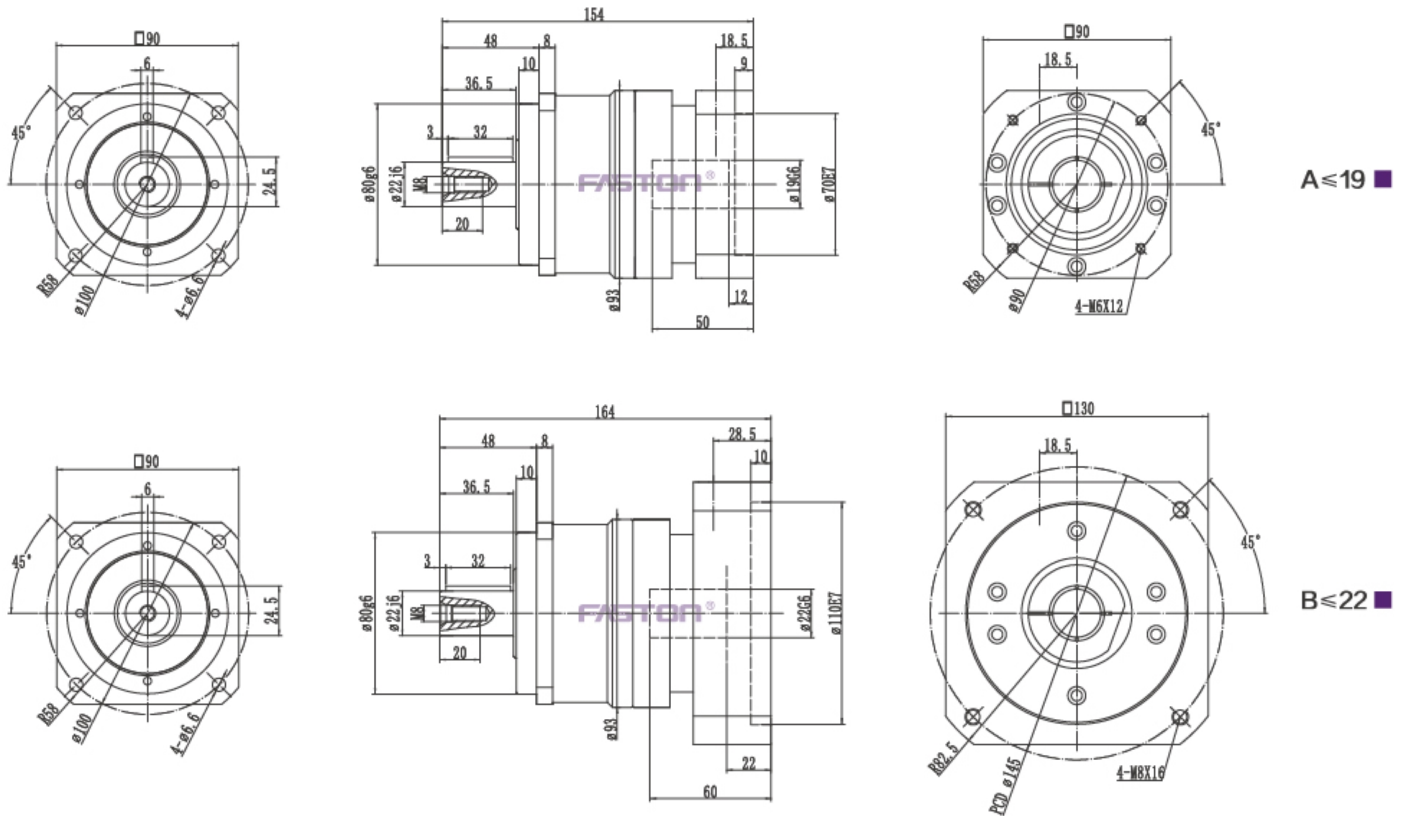
FKS090			单级/One-stage								双级/Two-stage									
速比 <sup>(1)</sup> Speed ratio	i		3	4	5	6	7	8	9	10	12	16	20	25	35	40	50	70	100	
额定输出力矩( $n_{1N}$ ) Rated output torque	$T_{2N}$	Nm	130	140	160	140	140	120	100	100	130	140	140	160	140	140	160	120	100	
紧急制动力矩 Emergency braking torque (在减速机工作寿命内允许1000次) (1000 times during the working life of the reducer)	$T_{2NOT}$	Nm	3倍额定输出力矩/3 Times rated output torque																	
额定输入转速( $T_{2n}$ , 20°C环境温度) Rated input speed ( $T_{2n}$ , 20 °C ambient temperature)	$n_{1N}$	rpm	3000																	
最大输入转速 Maximum input speed	$n_{1max}$	rpm	6000																	
空载力矩( $n_l=3000rpm$ , 20°C环境温度) No-load torque ( $n_l=3000 RPM, 20^\circ C$ ambient temperature)	$T_{012}$	Nm	1.8	1.7	1.6	1.5	1.4	1.1	0.8	0.7	0.9	0.8	0.7	0.6	0.5	0.5	0.4	0.3	0.3	
回程间隙PS Backlash PS	$j_t$	Arcmin	≤1								≤2									
回程间隙P0 Backlash P0	$j_t$	Arcmin	≤2								≤3									
回程间隙P1 Backlash P1	$j_t$	Arcmin	≤3								≤5									
回程间隙P2 Backlash P2	$j_t$	Arcmin	≤5								≤7									
扭转刚度 Torsional stiffness	$C_{t21}$	Nm/Arcmin	10.5																	
最大轴向力 <sup>(2)</sup> Maximum axial force	$F_{2AMax}$	N	1230																	
最大径向力 <sup>(2)</sup> Maximum radial force	$F_{2RMax}$	N	2200																	
工作效率 Work efficiency	$\eta$	%	97								94									
工作寿命 <sup>(3)</sup> Service life	$L_h$	h	20000																	
噪音( $i=10$ 和 $n_l=3000rpm$ , 空载) Noise( $i=10$ and $n_l=3000rpm$ , no load)	$L_{PA}$	DB(A)	≤60																	
重量 Weight	m	Kg	3.9								4.6									
安装方向 Installation direction			任意方向/Any direction																	
使用温度 <sup>(4)</sup> Operating temperature		°C	-10~90																	
润滑方式 Lubrication method			终生润滑/Lifetime lubrication																	
防护等级 Protection level			IP65																	
转动惯量 Moment of inertia 按减速机输入直径(mm) Input diameter based on the reducer (mm)	19	$J_1$	Kgcm <sup>2</sup>	1.3	1.3	1.2	1.1	0.9	0.8	0.7	0.6	0.25	0.23	0.21	0.2	0.18	0.18	0.08	0.16	0.16
	22	$J_1$	Kgcm <sup>2</sup>	2.2	2.1	2	2	1.8	1.7	1.5	1.5	0.7	0.7	0.7	0.7	0.7	0.7	0.16	0.5	0.5
	24	$J_1$	Kgcm <sup>2</sup>	2.5	2.4	2.3	2.3	2.2	2.2	2.1	2.1	0.8	0.8	0.7	0.7	0.7	0.7	0.15	0.6	0.6

1. 可选其他减速比  
2. 输出轴中心点  
3. 连续运转时, 使用寿命为10000h  
4. 对温度有特殊要求请与法斯頓联系

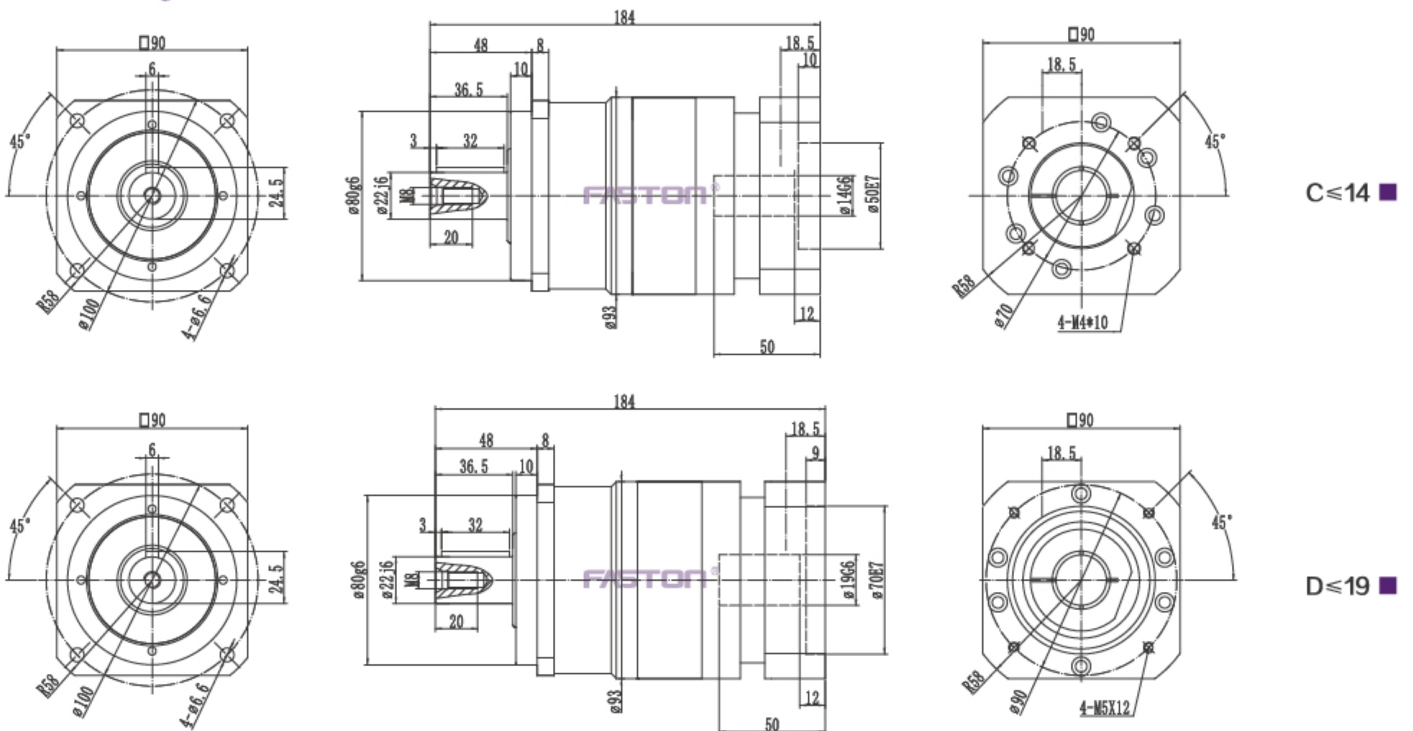
1. Optional other ratio  
2. Output shaft center point  
3. Service life of 10000h in continuous operation  
4. For special requirements on temperature, please contact FASTON

## 减速机性能资料 REDUCER PERFORMANCE DATA

### 单级/One-stage



### 双级/Two-stage



- (1) 请参照马达轴径尺寸
  - (2) 马达轴最长长度, 如有特殊的马达轴尺寸, 请与法斯頓联络
  - (3) 减速机输入端尺寸, 依马达的法兰面而定
- \*如无适合的尺寸, 请与法斯頓联系

- (1) Please refer to the motor shaft diameter
  - (2) Motor shaft length, for special motor shaft size, please contact FASTON
  - (3) Reducer input size, depending on the flange surface of the motor
- \*If no suitable size available, please contact FASTON

FKS115			单级/One-stage								双级/Two-stage									
速比 <sup>(1)</sup> Speed ratio	i		3	4	5	6	7	8	9	10	12	16	20	25	35	40	50	70	100	
额定输出力矩(n <sub>1N</sub> ) Rated output torque	T <sub>2N</sub>	Nm	208	290	330	300	300	260	230	230	208	290	290	330	300	330	330	300	230	
紧急制动力矩 (在减速机工作寿命内允许1000次) (1000 times during the working life of the reducer)	T <sub>2NOT</sub>	Nm	3倍额定输出力矩/3 Times rated output torque																	
额定输入转速(T <sub>2N</sub> , 20°C环境温度) Rated input speed (T <sub>2N</sub> , 20 °C ambient temperature)	n <sub>1N</sub>	rpm	3000																	
最大输入转速 Maximum input speed	n <sub>1max</sub>	rpm	6000																	
空载力矩(n <sub>1</sub> =3000rpm, 20°C环境温度) No-load torque (n <sub>1</sub> =3000 RPM, 20°C ambient temperature)	T <sub>012</sub>	Nm	3.6	3	2.7	2.5	2	1.8	1.6	1.5	1.8	1.6	1.6	1.5	1.2	1	0.8	0.7	0.6	
回程间隙PS Backlash PS	j <sub>t</sub>	Arcmin	≤1								≤2									
回程间隙P0 Backlash P0	j <sub>t</sub>	Arcmin	≤2								≤3									
回程间隙P1 Backlash P1	j <sub>t</sub>	Arcmin	≤3								≤5									
回程间隙P2 Backlash P2	j <sub>t</sub>	Arcmin	≤5								≤7									
扭转刚度 Torsional stiffness	C <sub>t21</sub>	Nm/Arcmin	20																	
最大轴向力 <sup>(2)</sup> Maximum axial force	F <sub>2AMax</sub>	N	2550																	
最大径向力 <sup>(2)</sup> Maximum radial force	F <sub>2RMax</sub>	N	5025																	
工作效率 Work efficiency	η	%	97								94									
工作寿命 <sup>(3)</sup> Service life	L <sub>h</sub>	h	20000																	
噪音(i=10和n <sub>1</sub> =3000rpm, 空载) Noise(i=10 and n <sub>1</sub> =3000rpm, no load)	L <sub>PA</sub>	DB(A)	≤63																	
重量 Weight	m	Kg	8.7								10									
安装方向 Installation direction			任意方向/Any direction																	
使用温度 <sup>(4)</sup> Operating temperature		°C	-10~90																	
润滑方式 Lubrication method			终生润滑/Lifetime lubrication																	
防护等级 Protection level			IP65																	
转动惯量 Moment of inertia 按减速机输入直径(mm) Input diameter based on the reducer(mm)	19	J <sub>1</sub>	Kgcm <sup>2</sup>	3.5	3	2.6	2.2	2	1.8	1.6	1.5	0.7	0.7	0.7	0.7	0.7	0.6	0.6	0.5	0.5
	24	J <sub>1</sub>	Kgcm <sup>2</sup>	4.8	4.6	4.5	4	3.5	3	2.7	2.5	2	1.8	1.8	1.7	1.7	1.6	1.4	1.4	1.4
	35	J <sub>1</sub>	Kgcm <sup>2</sup>	11.5	10.5	10	10	9.9	9.9	9.6	9.5	2.2	2.1	2.1	2	2	1.9	1.8	1.8	1.7

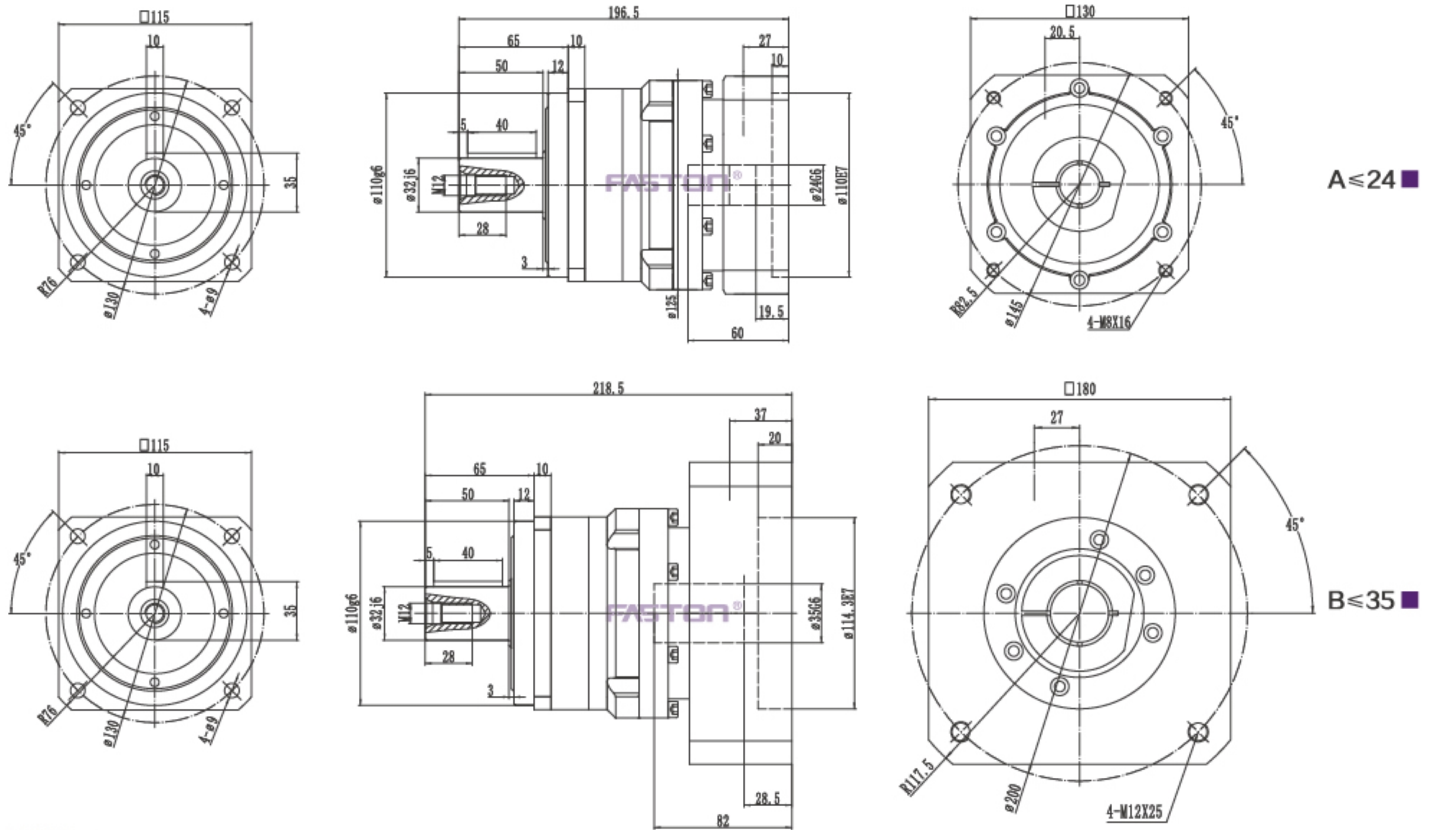
1. 可选其他减速比  
2. 输出轴中心点  
3. 连续运转时, 使用寿命为10000h  
4. 对温度有特殊要求请与法斯頓联系

1. Optional other ratio  
2. Output shaft center point  
3. Service life of 10000h in continuous operation  
4. For special requirements on temperature, please contact FASTON

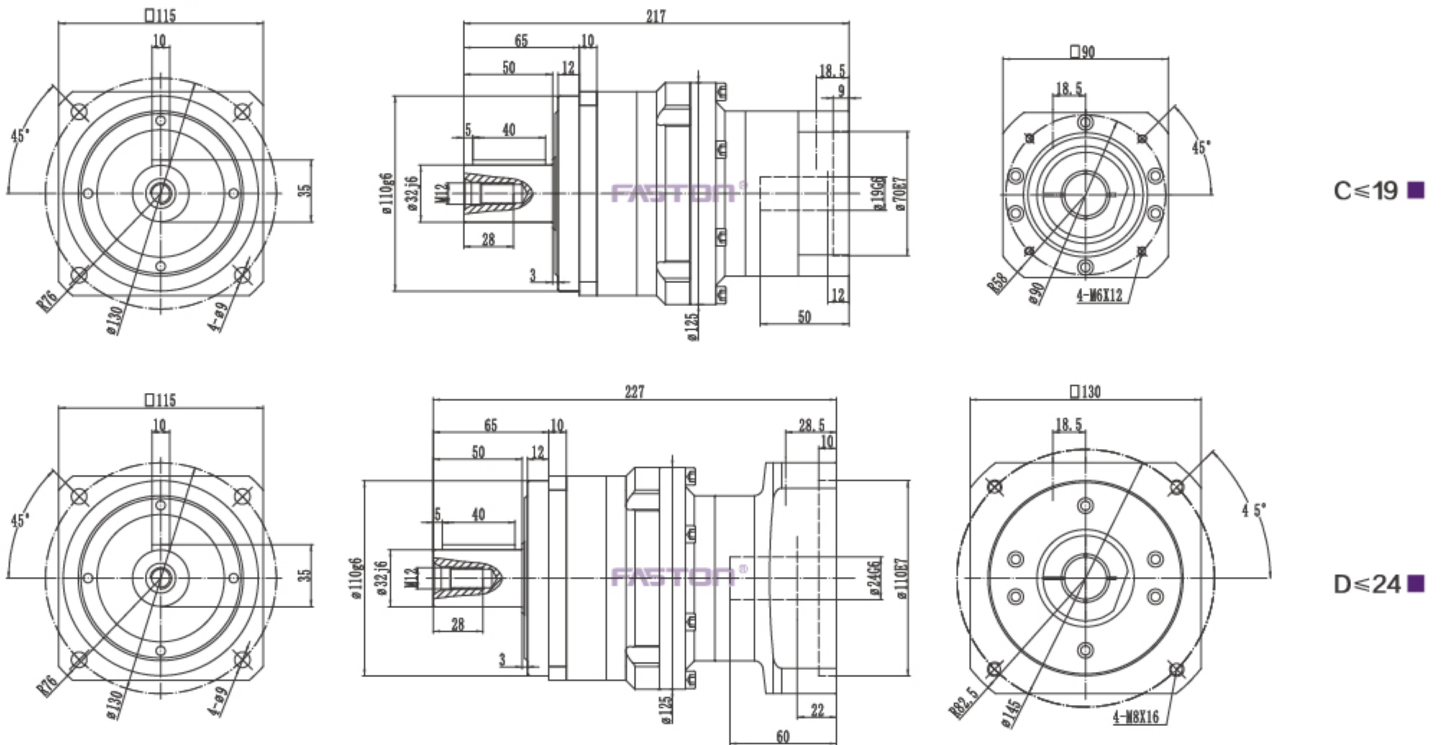


## 减速机性能资料 REDUCER PERFORMANCE DATA

### 单级/One-stage



### 双级/Two-stage



- (1) 请参照马达轴径尺寸
  - (2) 马达轴最长长度, 如有特殊的马达轴尺寸, 请与法斯頓联络
  - (3) 减速机输入端尺寸, 依马达的法兰面而定
- \*如无适合的尺寸, 请与法斯頓联系

- (1) Please refer to the motor shaft diameter
  - (2) Motor shaft length, for special motor shaft size, please contact FASTON
  - (3) Reducer input size, depending on the flange surface of the motor
- \*If no suitable size available, please contact FASTON

减速机性能资料 REDUCER PERFORMANCE DATA

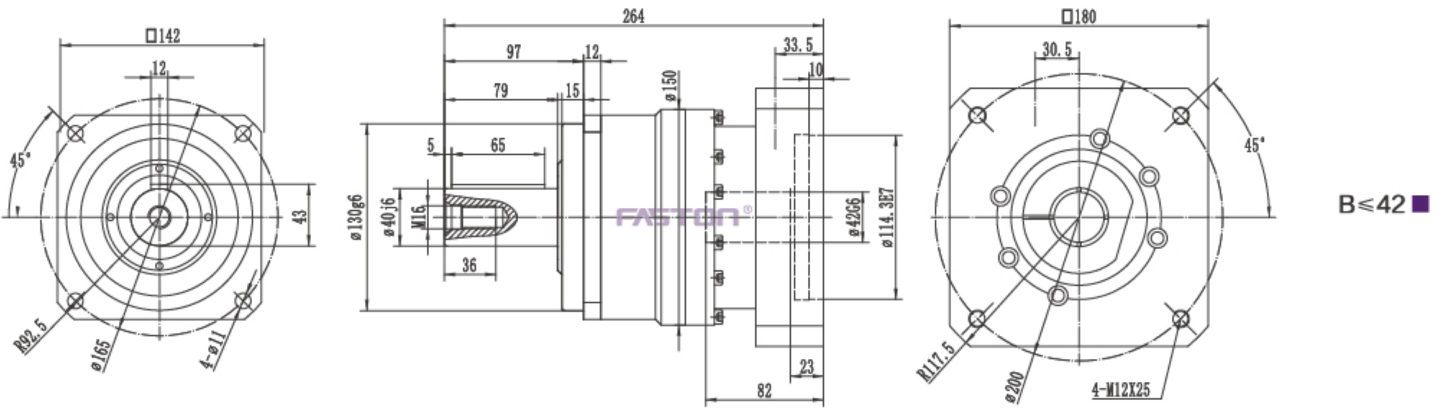
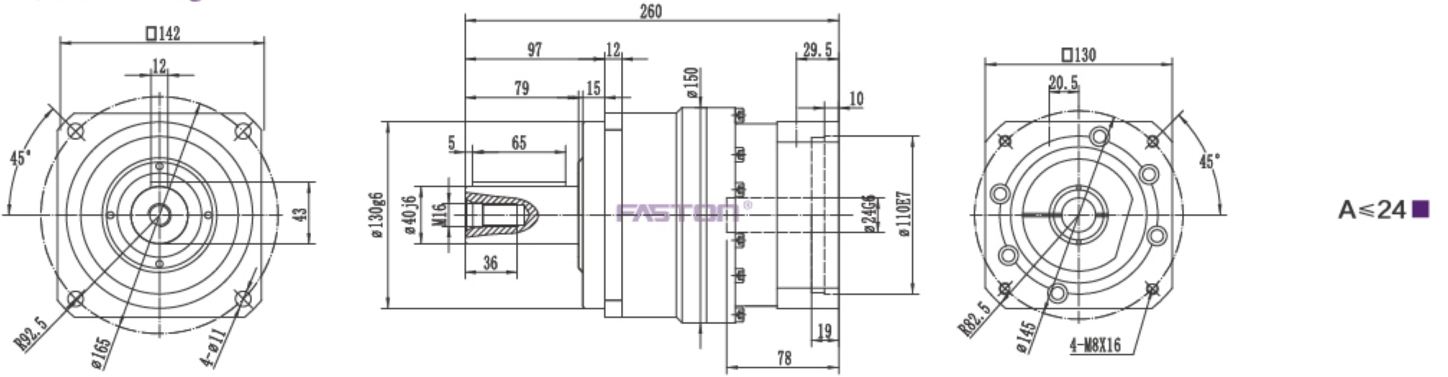
FKS142			单级/One-stage								双级/Two-stage									
速比 <sup>(1)</sup> Speed ratio	i		3	4	5	6	7	8	9	10	12	16	20	25	35	40	50	70	100	
额定输出力矩( $n_{1N}$ ) Rated output torque	$T_{2N}$	Nm	342	542	650	550	550	500	450	450	342	543	542	650	550	542	650	550	450	
紧急制动力矩 (在减速机工作寿命内允许1000次) (1000 times during the working life of the reducer)	$T_{2NOT}$	Nm	3倍额定输出力矩/3 Times rated output torque																	
额定输入转速( $T_{2n}$ , 20°C环境温度) Rated input speed ( $T_{2n}$ , 20 °C ambient temperature)	$n_{1N}$	rpm	3000																	
最大输入转速 Maximum input speed	$n_{1max}$	rpm	6000																	
空载力矩( $n_1=3000rpm$ , 20°C环境温度) No-load torque ( $n_1=3000$ RPM, 20°C ambient temperature)	$T_{012}$	Nm	8	6	4.7	4.5	3.5	2.5	2.5	2.5	3.5	2.8	2.6	2.2	2.0	1.9	1.8	1.6	1.5	
回程间隙PS Backlash PS	$j_t$	Arcmin	≤1								≤2									
回程间隙P0 Backlash P0	$j_t$	Arcmin	≤2								≤3									
回程间隙P1 Backlash P1	$j_t$	Arcmin	≤3								≤5									
回程间隙P2 Backlash P2	$j_t$	Arcmin	≤5								≤7									
扭转刚度 Torsional stiffness	$C_{t21}$	Nm/Arcmin	39																	
最大轴向力 <sup>(2)</sup> Maximum axial force	$F_{2AMax}$	N	3780																	
最大径向力 <sup>(2)</sup> Maximum radial force	$F_{2RMax}$	N	7610																	
工作效率 Work efficiency	$\eta$	%	97								94									
工作寿命 <sup>(3)</sup> Service life	$L_h$	h	20000																	
噪音( $i=10$ 和 $n_1=3000rpm$ , 空载) Noise( $i=10$ and $n_1=3000rpm$ , no load)	$L_{PA}$	DB(A)	≤65																	
重量 Weight	m	Kg	16								20									
安装方向 Installation direction			任意方向/Any direction																	
使用温度 <sup>(4)</sup> Operating temperature	$^{\circ}C$		-10-90																	
润滑方式 Lubrication method			终生润滑/Lifetime lubrication																	
防护等级 Protection level			IP65																	
转动惯量 Moment of inertia 按减速机输入直径(mm) Input diameter based on the reducer(mm)	24	$J_1$	Kgcm <sup>2</sup>	10.5	8	8	7.2	7	6.5	5.8	5.5	2.6	2.2	2	1.7	1.7	1.6	1.4	1.4	1.4
	35	$J_1$	Kgcm <sup>2</sup>	14.5	12	11	10	10	9.5	9.5	9	3.3	3.2	3	2.9	2.7	2.5	2.3	2.2	2
	42	$J_1$	Kgcm <sup>2</sup>	26	25	24.5	24.1	23.5	23	22.5	22	14.5	12	11	10	10	9.5	9.5	9	9

1. 可选其他减速比  
2. 输出轴中心点  
3. 连续运转时, 使用寿命为10000h  
4. 对温度有特殊要求请与法斯頓联系

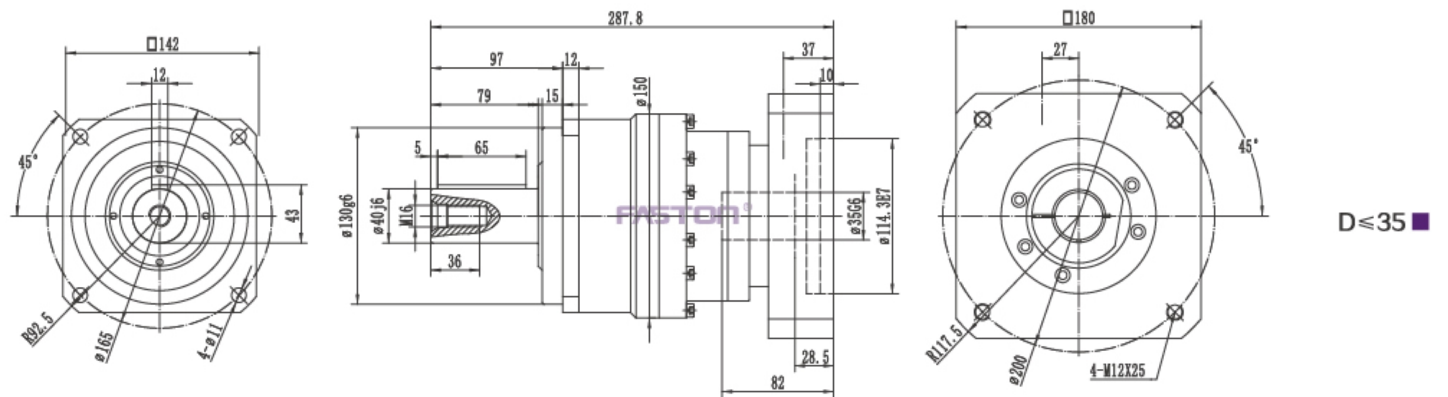
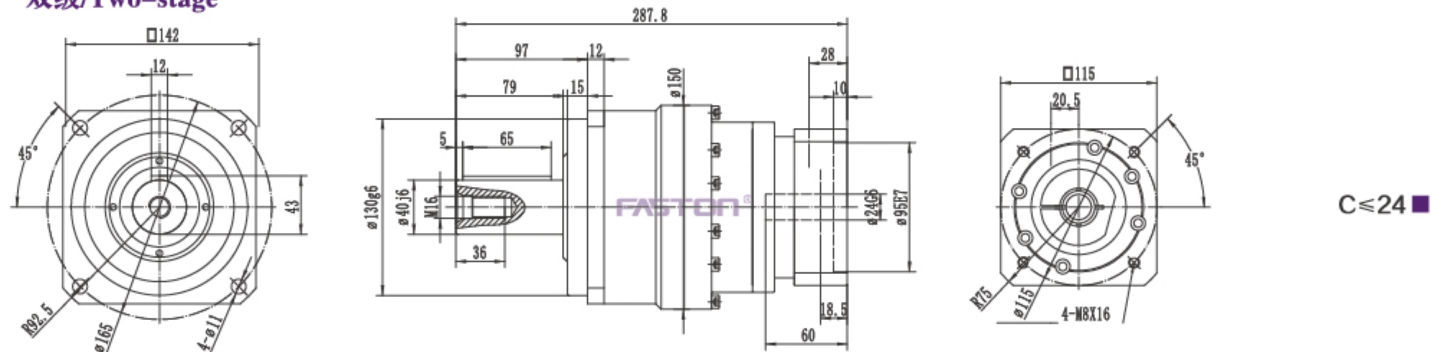
1. Optional other ratio  
2. Output shaft center point  
3. Service life of 10000h in continuous operation  
4. For special requirements on temperature, please contact FASTON

## 减速机性能资料 REDUCER PERFORMANCE DATA

### 单级/One-stage



### 双级/Two-stage



- (1) 请参照马达轴径尺寸
  - (2) 马达轴最长长度, 如有特殊的马达轴尺寸, 请与法斯頓联络
  - (3) 减速机输入端尺寸, 依马达的法兰面而定
- \*如无适合的尺寸, 请与法斯頓联系

- (1) Please refer to the motor shaft diameter
  - (2) Motor shaft length, for special motor shaft size, please contact FASTON
  - (3) Reducer input size, depending on the flange surface of the motor
- \*If no suitable size available, please contact FASTON

减速机性能资料 REDUCER PERFORMANCE DATA

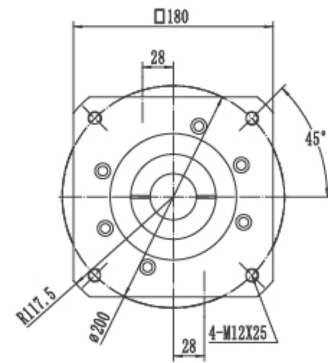
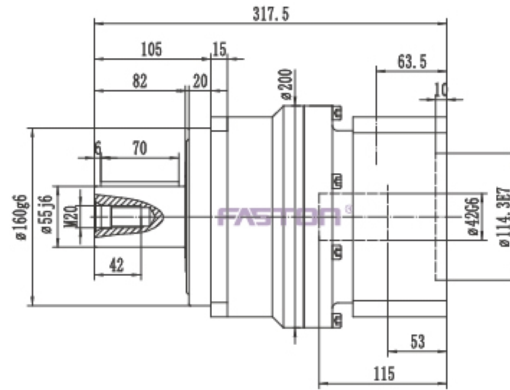
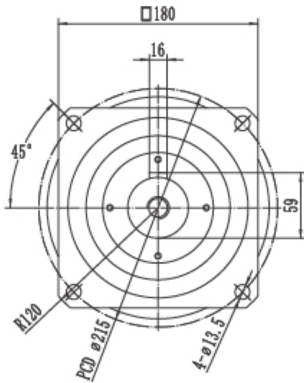
FKS180			单级/One-stage								双级/Two-stage									
速比 <sup>(1)</sup> Speed ratio	i		3	4	5	6	7	8	9	10	12	16	20	25	35	40	50	70	100	
额定输出力矩 (n <sub>1N</sub> ) Rated output torque	T <sub>2N</sub>	Nm	750	1050	1200	1100	1100	1000	900	900	750	1050	1050	1200	1100	1020	1200	1100	900	
紧急制动力矩 Emergency braking torque (在减速机工作寿命内允许1000次) (1000 times during the working life of the reducer)	T <sub>2NOT</sub>	Nm	3倍额定输出力矩/3 Times rated output torque																	
额定输入转速 (T <sub>2n</sub> , 20°C环境温度) Rated input speed (T <sub>2n</sub> , 20 °C ambient temperature)	n <sub>1N</sub>	rpm	3000																	
最大输入转速 Maximum input speed	n <sub>1max</sub>	rpm	6000																	
空载力矩 (n <sub>l</sub> =3000rpm, 20°C环境温度) No-load torque (n <sub>l</sub> =3000 RPM, 20 °C ambient temperature)	T <sub>012</sub>	Nm	15	13	12	11	9	7.5	6.5	5.5	14	11	11	9	9	8	7	6.8	5	
回程间隙PS Backlash PS	j <sub>t</sub>	Arcmin	≤1								≤2									
回程间隙P0 Backlash P0	j <sub>t</sub>	Arcmin	≤2								≤3									
回程间隙P1 Backlash P1	j <sub>t</sub>	Arcmin	≤3								≤5									
回程间隙P2 Backlash P2	j <sub>t</sub>	Arcmin	≤5								≤7									
扭转刚度 Torsional stiffness	C <sub>t21</sub>	Nm/Arcmin	115																	
最大轴向力 <sup>(2)</sup> Maximum axial force	F <sub>2AMax</sub>	N	5875																	
最大径向力 <sup>(2)</sup> Maximum radial force	F <sub>2RMax</sub>	N	10900																	
工作效率 Work efficiency	η	%	97								94									
工作寿命 <sup>(3)</sup> Service life	L <sub>n</sub>	h	20000																	
噪音 (i=10和n <sub>l</sub> =3000rpm, 空载) Noise (i=10 and n <sub>l</sub> =3000rpm, no load)	L <sub>PA</sub>	DB(A)	≤67																	
重量 Weight	m	Kg	31								39									
安装方向 Installation direction			任意方向/Any direction																	
使用温度 <sup>(4)</sup> Operating temperature	°C		-10~90																	
润滑方式 Lubrication method			终生润滑/Lifetime lubrication																	
防护等级 Protection level			IP65																	
转动惯量 Moment of inertia 按减速机输入直径(mm) Input diameter based on the reducer(mm)	35	J <sub>1</sub>	Kgcm <sup>2</sup>	49	35	30	25	23	22	20	19	9.5	9	8.8	8.2	7.9	7.5	6.8	6.2	5.5
	42	J <sub>1</sub>	Kgcm <sup>2</sup>	52	41	37	36	35	32	30	28	12	11.4	10.9	10.2	9.8	9.7	9.3	9.0	8.5
	55	J <sub>1</sub>	Kgcm <sup>2</sup>	66	50	44	42	40	38	36	36	13	12.1	11	10.5	10.2	10	9.9	9.8	9.5

1. 可选其他减速比  
2. 输出轴中心点  
3. 连续运转时, 使用寿命为10000h  
4. 对温度有特殊要求请与法斯頓联系

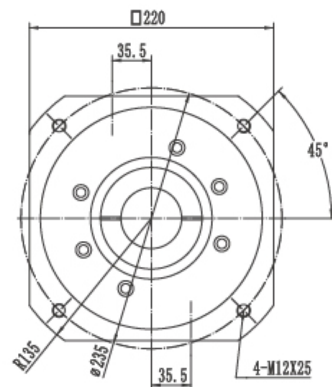
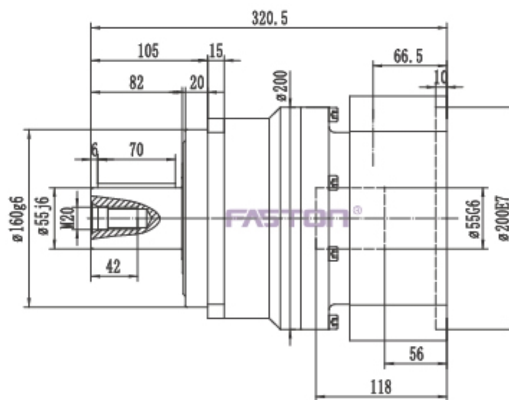
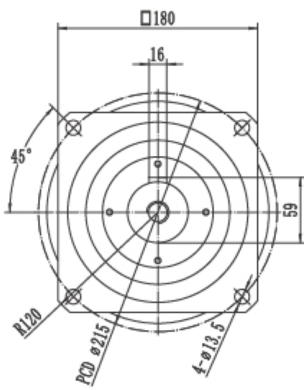
1. Optional other ratio  
2. Output shaft center point  
3. Service life of 10000h in continuous operation  
4. For special requirements on temperature, please contact FASTON

减速机性能资料 REDUCER PERFORMANCE DATA

单级/One-stage

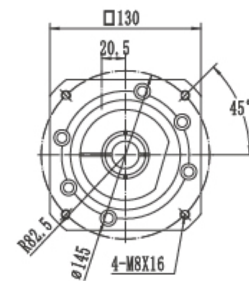
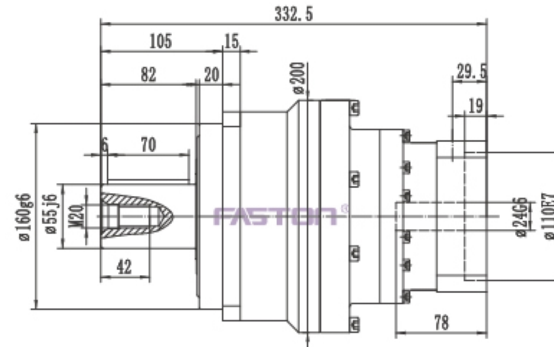
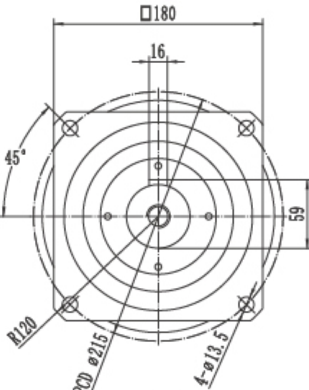


A ≤ 42

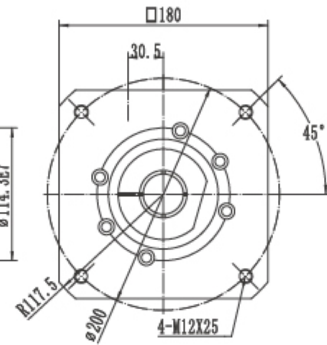
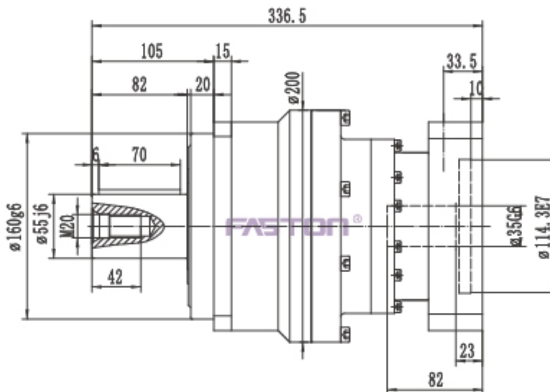
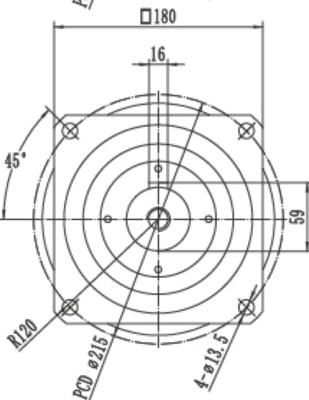


B ≤ 55

双级/Two-stage



C ≤ 24



D ≤ 35

- (1) 请参照马达轴径尺寸
  - (2) 马达轴最长长度, 如有特殊的马达轴尺寸, 请与法斯頓联络
  - (3) 减速机输入端尺寸, 依马达的法兰面而定
- \*如无适合的尺寸, 请与法斯頓联系

- (1) Please refer to the motor shaft diameter
  - (2) Motor shaft length, for special motor shaft size, please contact FASTON
  - (3) Reducer input size, depending on the flange surface of the motor
- \*If no suitable size available, please contact FASTON

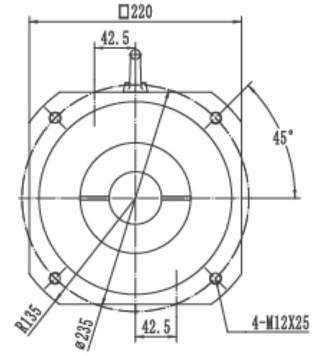
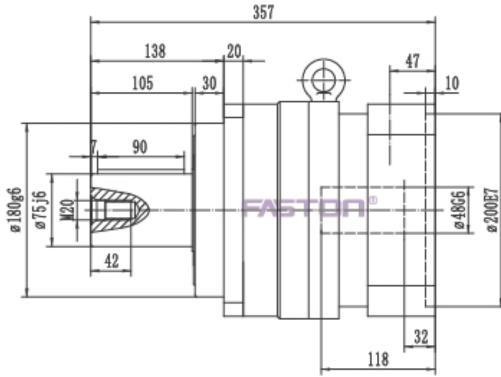
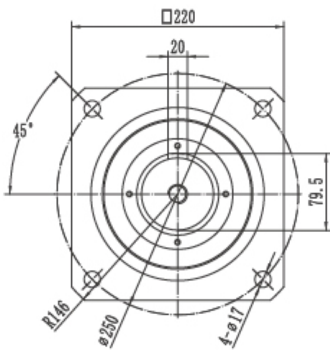
FKS220			单级/One-stage								双级/Two-stage									
速比 <sup>(1)</sup> Speed ratio	i		3	4	5	6	7	8	9	10	12	16	20	25	35	40	50	70	100	
额定输出力矩(n <sub>1N</sub> ) Rated output torque	T <sub>2N</sub>	Nm	1140	1700	2000	1800	1800	1600	1500	1500	1140	1700	1700	2000	1800	1700	2000	1800	1500	
紧急制动力矩 Emergency braking torque (在减速机工作寿命内允许1000次) (1000 times during the working life of the reducer)	T <sub>2NOT</sub>	Nm	3倍额定输出力矩/3 Times rated output torque																	
额定输入转速 (T <sub>2N</sub> , 20°C环境温度) Rated input speed (T <sub>2N</sub> , 20 °C ambient temperature)	n <sub>1N</sub>	rpm	2000																	
最大输入转速 Maximum input speed	n <sub>1max</sub>	rpm	4000																	
空载力矩(n <sub>1</sub> =3000rpm, 20°C环境温度) No-load torque (n <sub>1</sub> =3000 RPM, 20°C ambient temperature)	T <sub>012</sub>	Nm	33	22	17	8	6	5	4.5	3.5	14	11	11	9	9	8	7	6.8	5	
回程间隙PS Backlash PS	j <sub>t</sub>	Arcmin	≤1								≤2									
回程间隙P0 Backlash P0	j <sub>t</sub>	Arcmin	≤2								≤3									
回程间隙P1 Backlash P1	j <sub>t</sub>	Arcmin	≤3								≤5									
回程间隙P2 Backlash P2	j <sub>t</sub>	Arcmin	≤5								≤7									
扭转刚度 Torsional stiffness	C <sub>121</sub>	Nm/Arcmin	180																	
最大轴向力 <sup>(2)</sup> Maximum axial force	F <sub>2AMax</sub>	N	11200																	
最大径向力 <sup>(2)</sup> Maximum radial force	F <sub>2RMax</sub>	N	24000																	
工作效率 Work efficiency	η	%	97								94									
工作寿命 <sup>(3)</sup> Service life	L <sub>h</sub>	h	20000																	
噪音(i=10和n <sub>1</sub> =3000rpm, 空载) Noise(i=10 and n <sub>1</sub> =3000rpm, no load)	L <sub>PA</sub>	DB(A)	≤70																	
重量 Weight	m	Kg	48								62									
安装方向 Installation direction			任意方向/Any direction																	
使用温度 <sup>(4)</sup> Operating temperature	°C		-10-90																	
润滑方式 Lubrication method			终生润滑/Lifetime lubrication																	
防护等级 Protection level			IP65																	
转动惯量 Moment of inertia 按减速机输入直径(mm) Input diameter based on the reducer(mm)	42	J <sub>1</sub>	Kgcm <sup>2</sup>	80	70	68	65	55	52	45	40	18	16	15.5	14	14	13	13	10.8	9.5
	55	J <sub>1</sub>	Kgcm <sup>2</sup>	130	95	77	75	68	65	60	55	30	28	27	26.5	25.5	24	23	21	19.5

1. 可选其他减速比  
2. 输出轴中心点  
3. 连续运转时, 使用寿命为10000h  
4. 对温度有特殊要求请与法斯特联系

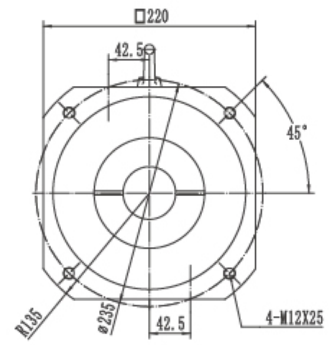
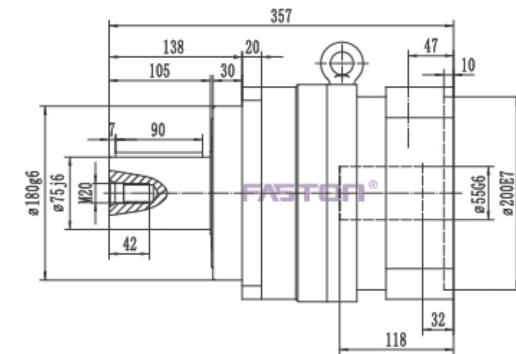
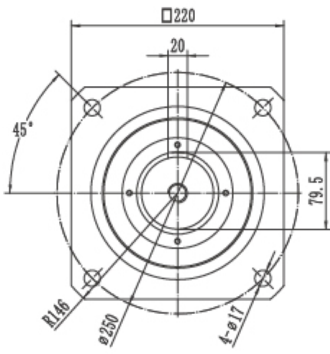
1. Optional other ratio  
2. Output shaft center point  
3. Service life of 10000h in continuous operation  
4. For special requirements on temperature, please contact FASTON

减速机性能资料 REDUCER PERFORMANCE DATA

单级/One-stage

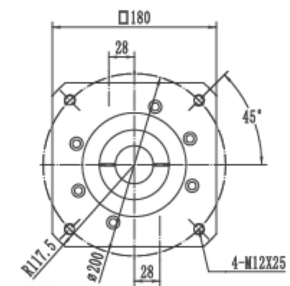
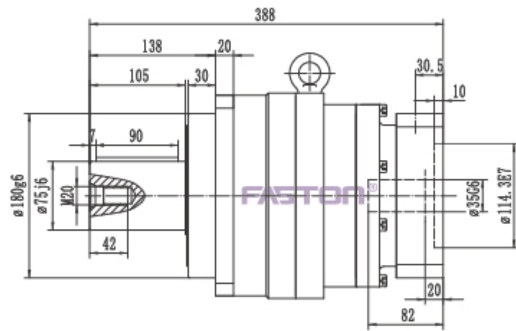
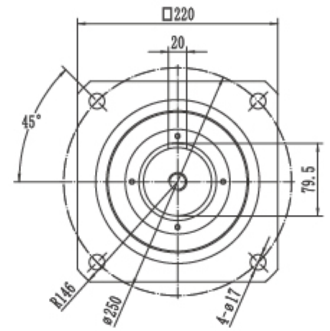


A ≤ 48

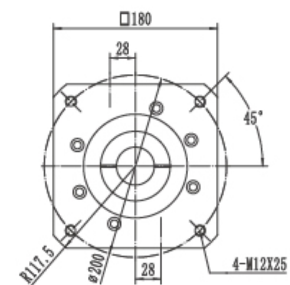
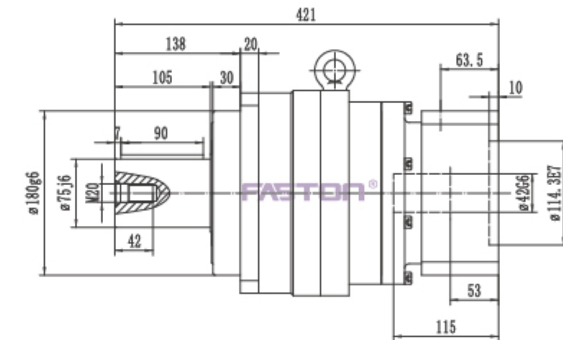
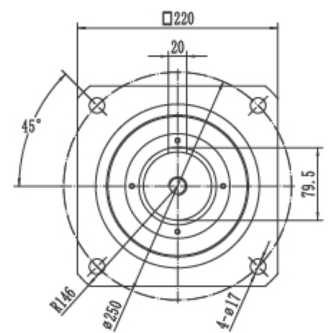


B ≤ 55

双级/Two-stage



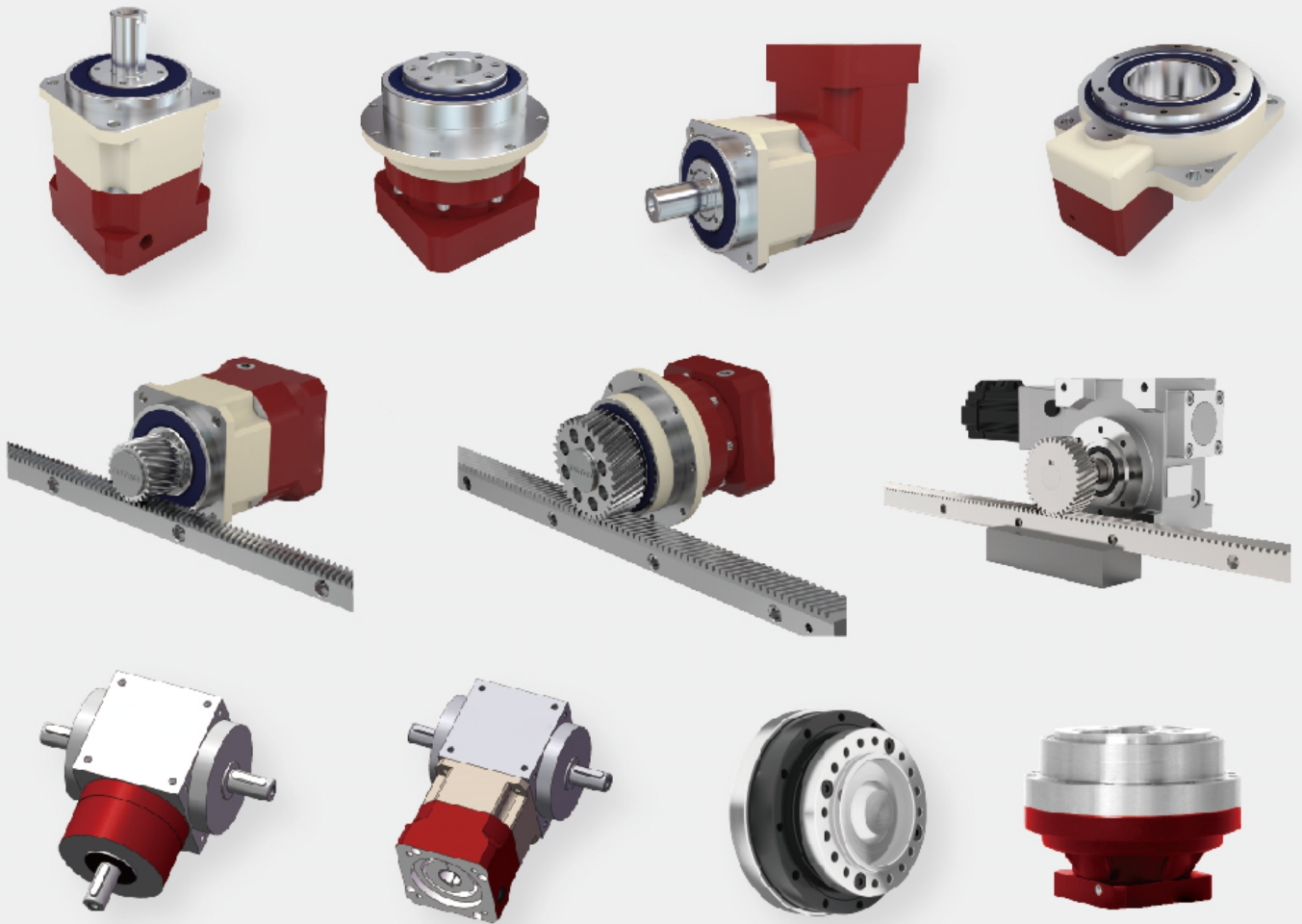
C ≤ 35



D ≤ 42

- (1) 请参照马达轴径尺寸
  - (2) 马达轴最长长度, 如有特殊的马达轴尺寸, 请与法斯頓联络
  - (3) 减速机输入端尺寸, 依马达的法兰面而定
- \*如无适合的尺寸, 请与法斯頓联系

- (1) Please refer to the motor shaft diameter
  - (2) Motor shaft length, for special motor shaft size, please contact FASTON
  - (3) Reducer input size, depending on the flange surface of the motor
- \*If no suitable size available, please contact FASTON



**東莞公司**  
Dongguan Company

東莞市精杰機電有限公司  
地址：廣東省東莞市樟木頭石新東城四街23號  
電話：13549217001 / 400-028-8380  
聯系人：江先生13802379590  
網址：www.jingjielw.com

Dongguan Jingjie Electromechanical Co., Ltd  
Address: No.23, Xindongcheng Fourth Street, Zhangmutou,  
Dongguan, Guangdong Province  
Tel: 13549217001/400-028-8380  
Contact person: Mr. Jiang 13802379590  
Website: www.jingjielw.com



**惠州公司**  
Huizhou Company

精杰機電（惠州）公司  
地址：廣東惠州仲愷高新區陳江大道南19號  
華廷悅府6棟1104室  
電話：13549217001 / 400-028-8380  
聯系人：劉小姐13802397290  
網址：www.jingjielw.com

Jingjie Electromechanical (Huizhou) Co., Ltd  
Address: No. 19, Chenjiang Avenue South, Zhongkai High tech Zone,  
Huizhou, Guangdong Room 1104, Building 6, Huating Yuefu  
Tel: 13549217001/400-028-8380  
Contact: Miss Liu 13802397290  
Website: www.jingjielw.com



精杰機電

廣東省東莞市樟木頭石新東城四街23號 東莞市精杰機電有限公司 0769-13549217001 0769-13802379590

廣東省惠州仲愷高新區陳江大道南19號

華廷悅府6棟1104室 精杰機電（惠州）公司 0752-13549217001 0752-13802397290

www.jingjielw.com

子機

網址：www.jingjielw.com