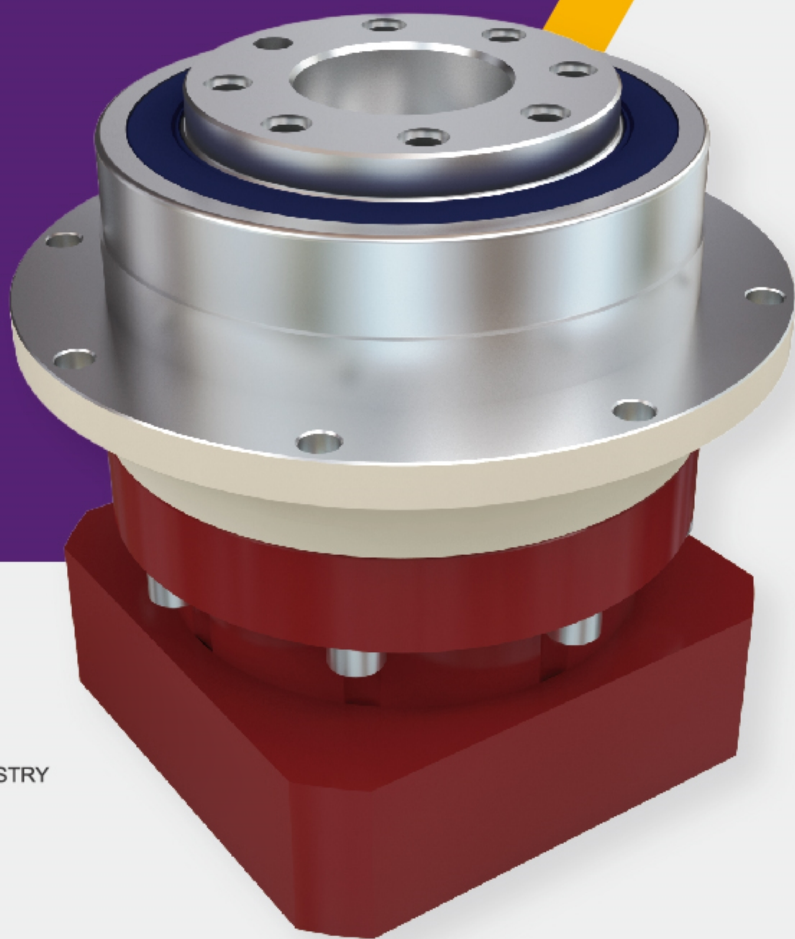


BORN FOR
PRECISION
為精密而生



傳動裝置系統供應商
樹立減速機行業新標桿

TRANSMISSION SYSTEM SUPPLIERS
SET A NEW BENCHMARK FOR THE REDUCER INDUSTRY

東莞市精杰機電有限公司

DONGGUAN JINGJIE ELECTROMECHANICAL CO., LTD



FKDR系列—经久耐用，节省空间

FKDR SERIES—DURABLE AND SAVING SPACE



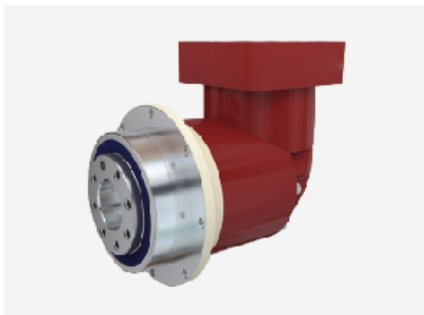
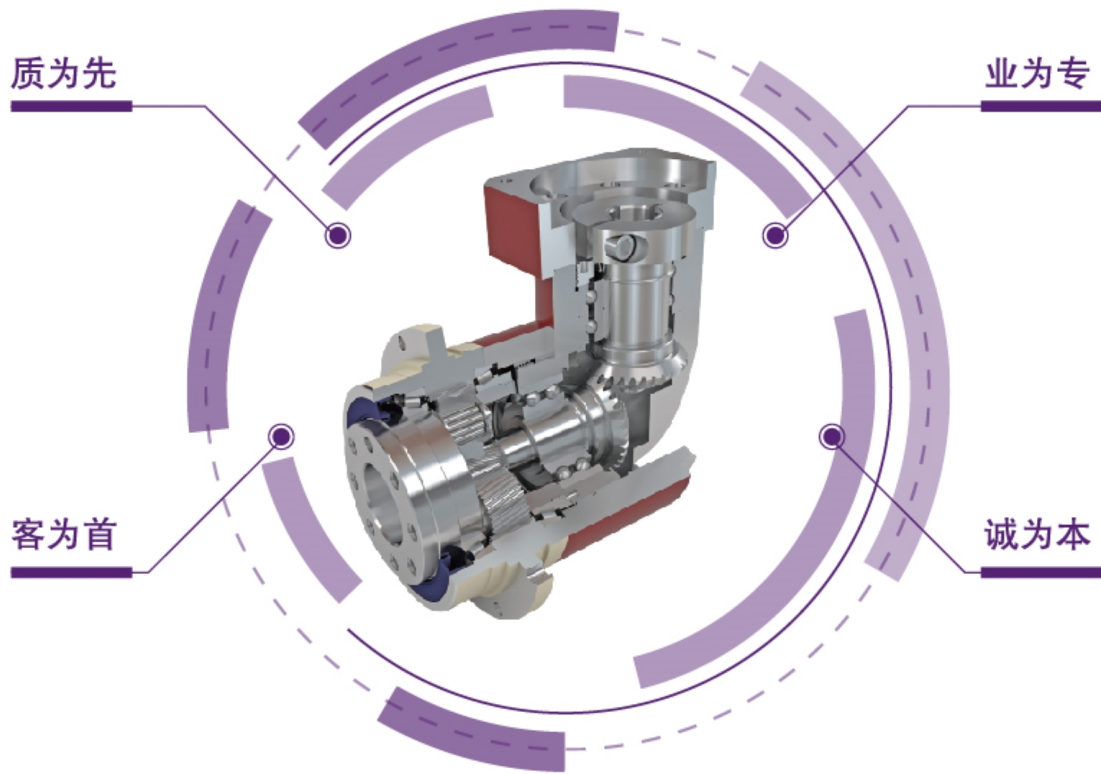
FKDR系列是FKD系列的有效拓展，
这种直角型减速机适用于对减速机/电机安装空
间要求非常节省的场合。

The FKDR series is an effective expansion of the FKD series.
This kind of right-angle reducer is suitable for situations where
the installation space of reducer/motor is very economical.

技术参数* TECHNICAL PARAMETERS

回程间隙 Return clearance	arcmin	2~9
速比 Speed ratio	i	3~100
额定输出力矩 Rated output torque	Nm	14~2000
使用温度°C Using temperature°C	°C	-10~90
噪音 The noise	dB(A)	61~74
工作效率 The work efficiency	%	95
工作寿命 The working life	h	20000

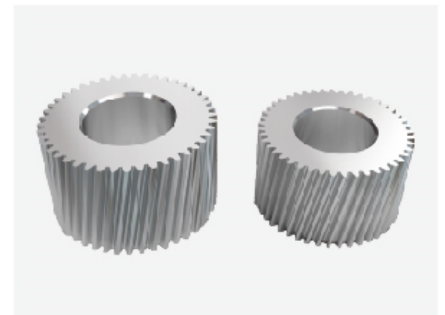




FKDR系列一经久耐用, 节省空间
FKDR series-durable and saving space



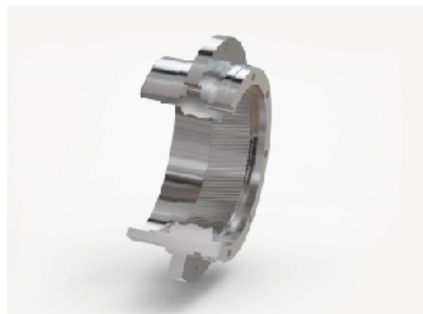
锁紧环经动平衡分析, 确保连转中, 同心度和零滑差传递
The dynamic balance analysis of the locking ring ensures the concentricity and zero slip transfer in the continuous rotation



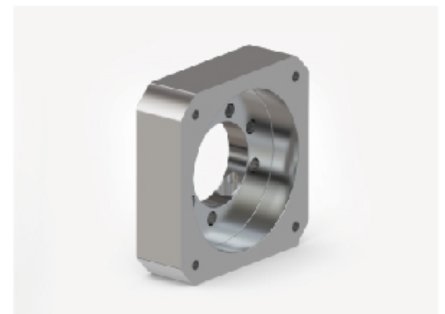
齿面宽, 参数做大, 实现高强度
The tooth surface is wide, the parameters are larger, and the high strength is achieved



太阳齿一体式设计, 确保同心度和扭转刚性
Integrated solar tooth design ensures concentricity and torsional rigidity



先进表面处理耐磨, 耐刮, 耐腐蚀
Advanced surface treatment wear-resistant, scratch-resistant, corrosion-resistant



一体化连接板设计, 与各种伺服, 马达完美配合
Integrated connection board design, perfect coordination with various servo and motors

FKDR047			单级/One-stage							双级/Two-stage								
速比 ⁽¹⁾ Speed ratio	i		4	5	6	7	8	9	10	16	20	25	35	40	50	70	100	
额定输出力矩(n_{1N}) Rated output torque	T_{2N}	Nm	19	22	20	19	17	14	14	19	19	22	19	17	22	19	14	
紧急制动力矩 Emergency braking torque (在减速机工作寿命内允许1000次) (1000 times during the working life of the reducer)	T_{2NOT}	Nm	3倍额定输出力矩/3 Times rated output torque															
额定输入转速(T_{2N} , 20°C环境温度) Rated input speed (T_{2N} , 20 °C ambient temperature)	n_{1N}	rpm	5000															
最大输入转速 Maximum input speed	n_{1max}	rpm	10000															
空载力矩($n_1=3000rpm$, 20°C环境温度) No-load torque ($n_1=3000 RPM$, 20°C ambient temperature)	T_{012}	Nm	0.4	0.4	0.3	0.3	0.2	0.2	0.2	0.3	0.3	0.3	0.3	0.3	0.2	0.2	0.1	
回程间隙PS Backlash PS	j_t	Arcmin	≤2							≤3								
回程间隙P0 Backlash P0	j_t	Arcmin	≤4							≤5								
回程间隙P1 Backlash P1	j_t	Arcmin	≤6							≤7								
回程间隙P2 Backlash P2	j_t	Arcmin	≤8							≤9								
扭转刚度 Torsional stiffness	C_{t21}	Nm/Arcmin	3															
最大轴向力 ⁽²⁾ Maximum axial force	F_{2AMax}	N	990															
最大倾侧力矩 Maximum bending torque	F_{2RMax}	Nm	43															
工作效率 Work efficiency	η	%	95							92								
工作寿命 ⁽³⁾ Service life	L_h	h	20000															
噪音 ($i=10$ 和 $n_1=3000rpm$, 空载) Noise ($i=10$ and $n_1=3000rpm$, no load)	L_{PA}	DB(A)	≤61															
重量 Weight	m	Kg	1.1							1.4								
安装方向 Installation direction			任意方向/Any direction															
使用温度 ⁽⁴⁾ Operating temperature	℃		-10~90															
润滑方式 Lubrication method			终生润滑/Lifetime lubrication															
防护等级 Protection level			IP65															
转动惯量 Moment of inertia 按减速机输入直径(mm) Input diameter based on the reducer(mm)	8	J_1	Kgcm ²	0.06	0.05	0.05	0.04	0.03	0.03	0.03	0.03	0.03	0.03	0.03	0.03	0.02	0.02	0.02
	11	J_1	Kgcm ²	0.13	0.12	0.12	0.12	0.11	0.07	0.06	0.1	0.08	0.08	0.07	0.07	0.06	0.06	0.05
	14	J_1	Kgcm ²	0.16	0.15	0.14	0.13	0.12	0.09	0.08	0.12	0.11	0.1	0.1	0.09	0.09	0.07	0.06

1. 可选其他减速比
2. 输出轴中心点
3. 连续运转时, 使用寿命为10000h
4. 对温度有特殊要求请与法斯頓联系

1. Optional other ratio
2. Output shaft center point
3. Service life of 10000h in continuous operation
4. For special requirements on temperature, please contact FASTON

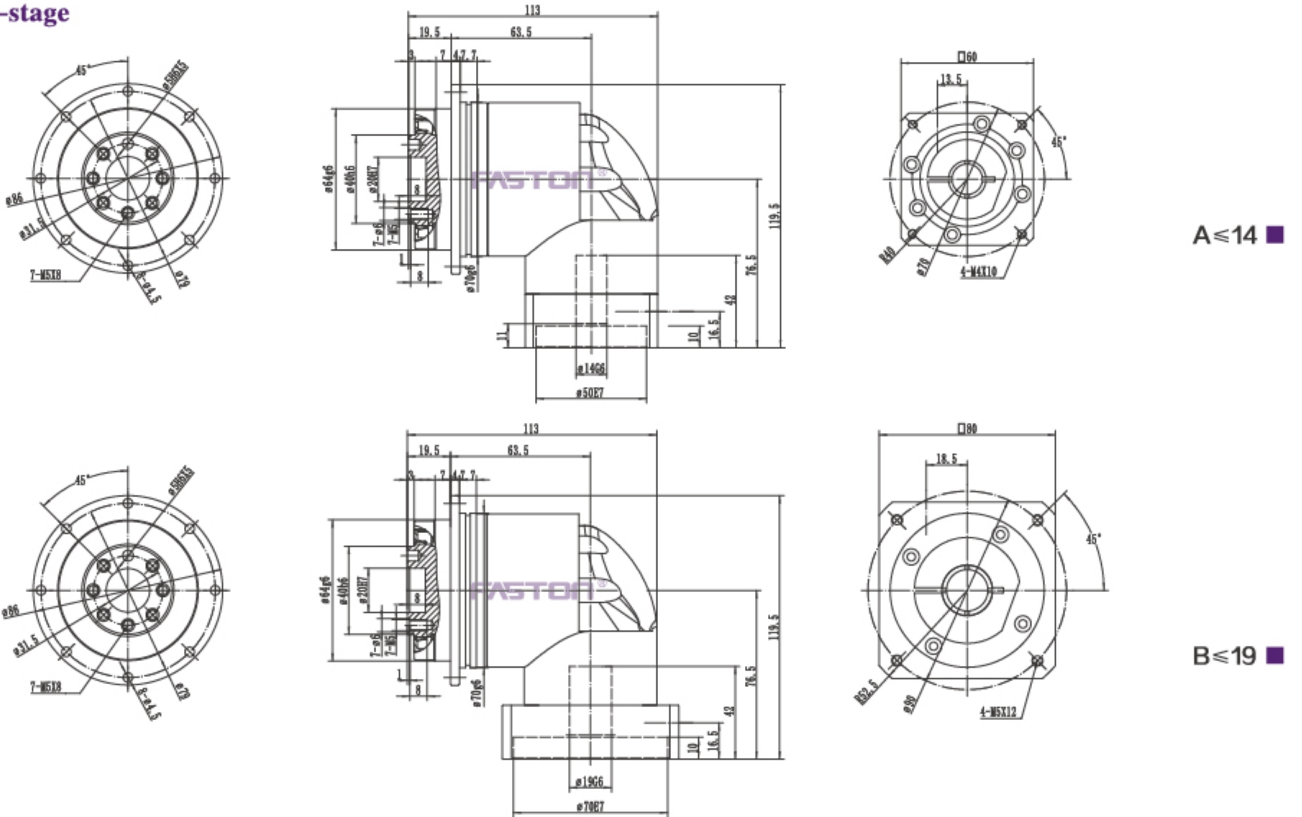
FKDR064			单级/One-stage									双级/Two-stage							
速比 ⁽¹⁾ Speed ratio	i		4	5	6	7	8	9	10	16	20	25	30	35	40	50	60	70	100
额定输出力矩(n_{1N}) Rated output torque	T_{2N}	Nm	50	60	55	50	45	40	40	45	40	60	55	50	50	50	55	50	40
紧急制动力矩 (在减速机工作寿命内允许1000次) (1000 times during the working life of the reducer)	T_{2NOT}	Nm	3倍额定输出力矩/3 Times rated output torque																
额定输入转速(T_{2N} , 20°C环境温度) Rated input speed (T_{2N} , 20 °C ambient temperature)	n_{1N}	rpm	5000																
最大输入转速 Maximum input speed	n_{1max}	rpm	10000																
空载力矩($n_l=3000rpm$, 20°C环境温度) No-load torque ($n_l=3000 RPM, 20^\circ C$ ambient temperature)	T_{012}	Nm	0.8	0.8	0.7	0.6	0.5	0.5	0.4	0.4	0.35	0.6	0.55	0.5	0.5	0.4	0.4	0.35	0.3
回程间隙PS Backlash PS	j_t	Arcmin	≤ 2									≤ 3							
回程间隙P0 Backlash P0	j_t	Arcmin	≤ 4									≤ 5							
回程间隙P1 Backlash P1	j_t	Arcmin	≤ 6									≤ 7							
回程间隙P2 Backlash P2	j_t	Arcmin	≤ 8									≤ 9							
扭转刚度 Torsional stiffness	C_{t21}	Nm/Arcmin	4.5																
最大轴向力 ⁽²⁾ Maximum axial force	F_{2AMax}	N	1050																
最大倾侧力矩 Maximum bending torque	F_{2RMax}	Nm	125																
工作效率 Work efficiency	η	%	95									92							
工作寿命 ⁽³⁾ Service life	L_h	h	20000																
噪音($i=10$ 和 $n_1=3000rpm$, 空载) Noise($i=10$ and $n_1=3000rpm$, no load)	L_{PA}	DB(A)	≤ 63																
重量 Weight	m	Kg	2.1									2.4							
安装方向 Installation direction			任意方向/Any direction																
使用温度 ⁽⁴⁾ Operating temperature		°C	-10~90																
润滑方式 Lubrication method			终生润滑/Lifetime lubrication																
防护等级 Protection level			IP65																
转动惯量 Moment of inertia 按减速机输入直径(mm) Input diameter based on the reducer (mm)	11	J_1	Kgcm ²	0.2	0.2	0.15	0.13	0.12	0.1	0.1	0.1	0.08	0.1	0.09	0.08	0.08	0.08	0.08	0.08
	14	J_1	Kgcm ²	0.25	0.25	0.22	0.18	0.17	0.15	0.14	0.14	0.12	0.17	0.17	0.16	0.16	0.16	0.16	0.15
	19	J_1	Kgcm ²	0.6	0.055	0.55	0.52	0.5	0.5	0.48	0.45	0.42	0.18	0.16	0.15	0.15	0.15	0.15	0.14

1. 可选其他减速比
2. 输出轴中心点
3. 连续运转时, 使用寿命为10000h
4. 对温度有特殊要求请与法斯頓联系

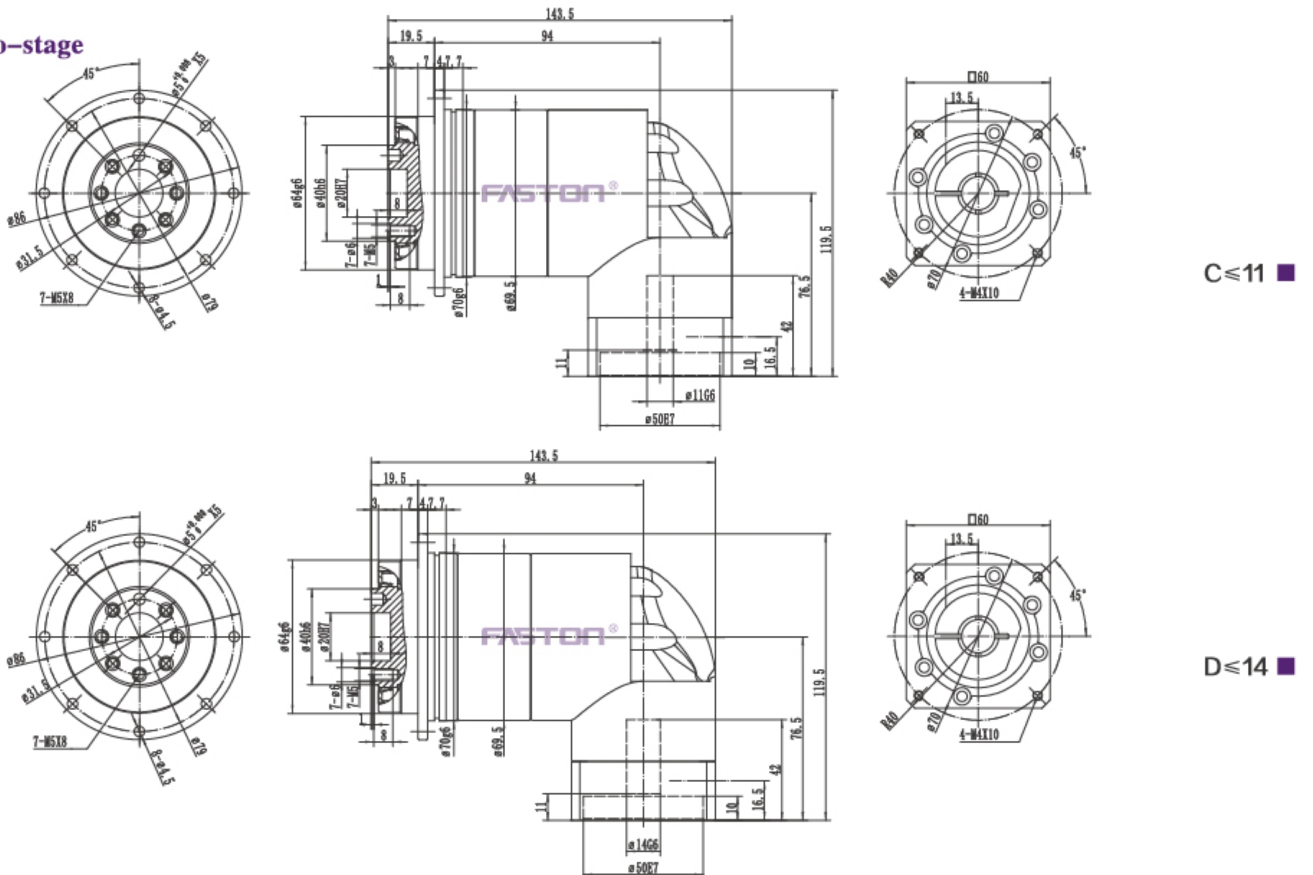
1. Optional other ratio
2. Output shaft center point
3. Service life of 10000h in continuous operation
4. For special requirements on temperature, please contact FASTON

减速机性能资料 REDUCER PERFORMANCE DATA

单级/One-stage



双级/Two-stage



- (1) 请参照马达轴径尺寸
- (2) 马达轴最长长度, 如有特殊的马达轴尺寸, 请与法斯頓联络
- (3) 减速机输入端尺寸, 依马达的法兰面而定
- *如无适合的尺寸, 请与法斯頓联系

- (1) Please refer to the motor shaft diameter
- (2) Motor shaft length, for special motor shaft size, please contact FASTON
- (3) Reducer input size, depending on the flange surface of the motor
- *If no suitable size available, please contact FASTON

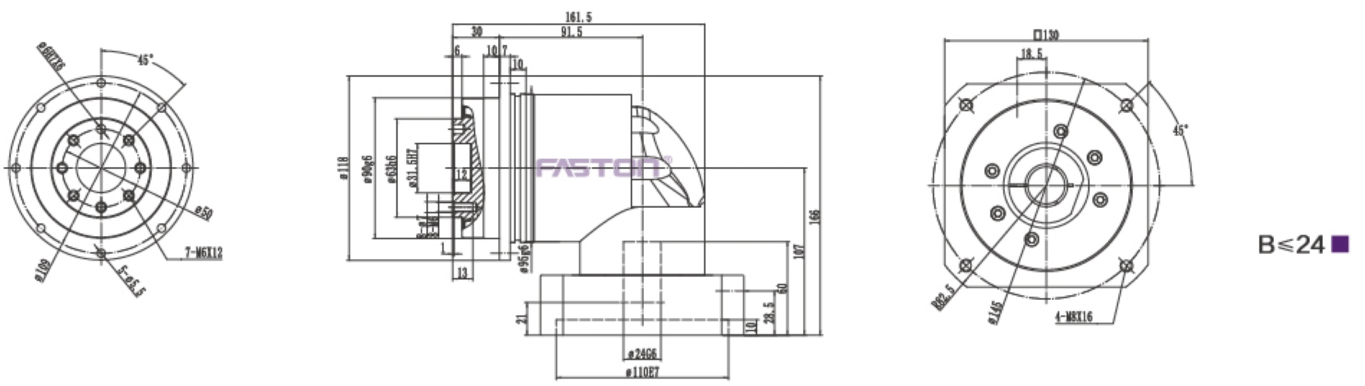
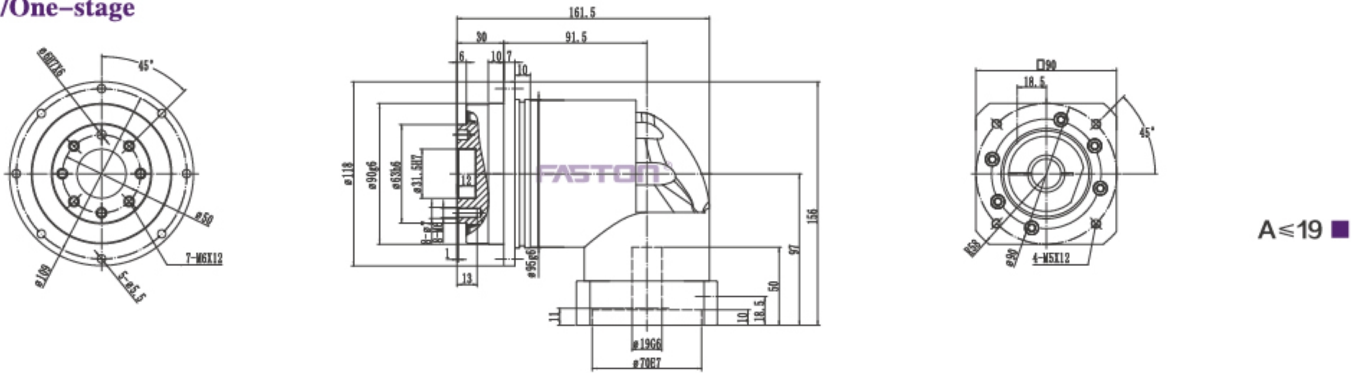
减速机性能资料 REDUCER PERFORMANCE DATA

FKDR090			单级/One-stage										双级/Two-stage							
速比 ⁽¹⁾ Speed ratio	i		4	5	6	7	8	9	10	16	20	16	20	25	35	40	50	70	100	
额定输出力矩(n_{1N}) Rated output torque	T_{2N}	Nm	140	160	140	140	120	100	100	120	100	140	140	160	140	140	160	120	100	
紧急制动力矩 (在减速机使用寿命内允许1000次) (1000 times during the working life of the reducer)	T_{2NOT}	Nm	3倍额定输出力矩/3 Times rated output torque																	
额定输入转速(T_{2N} , 20°C环境温度) Rated input speed (T_{2N} , 20 °C ambient temperature)	n_{1N}	rpm	3000																	
最大输入转速 Maximum input speed	n_{1max}	rpm	6000																	
空载力矩($n_1=3000rpm$, 20°C环境温度) No-load torque ($n_1=3000 RPM, 20^\circ C$ ambient temperature)	T_{012}	Nm	1.7	1.6	1.5	1.4	1.1	0.8	0.7	0.7	0.7	0.8	0.7	0.6	0.5	0.5	0.4	0.3	0.3	
回程间隙PS Backlash PS	j_t	Arcmin	≤ 2										≤ 3							
回程间隙P0 Backlash P0	j_t	Arcmin	≤ 4										≤ 5							
回程间隙P1 Backlash P1	j_t	Arcmin	≤ 6										≤ 7							
回程间隙P2 Backlash P2	j_t	Arcmin	≤ 8										≤ 9							
扭转刚度 Torsional stiffness	C_{t21}	Nm/Arcmin	14																	
最大轴向力 ⁽²⁾ Maximum axial force	F_{2AMax}	N	2850																	
最大倾侧力矩 Maximum bending torque	F_{2RMax}	Nm	235																	
工作效率 Work efficiency	η	%	95										92							
工作寿命 ⁽³⁾ Service life	L_h	h	20000																	
噪音($i=10$ 和 $m_1=3000rpm$, 空载) Noise($i=10$ and $n_1=3000rpm$, no load)	L_{FA}	DB(A)	≤ 65																	
重量 Weight	m	Kg	5.5										6							
安装方向 Installation direction			任意方向/Any direction																	
使用温度 ⁽⁴⁾ Operating temperature		°C	-10~90																	
润滑方式 Lubrication method			终生润滑/Lifetime lubrication																	
防护等级 Protection level			IP65																	
转动惯量 Moment of inertia 按减速机输入直径(mm) Input diameter based on the reducer (mm)	14	J_1	Kgcm ²	1.3	1.2	1.1	0.9	0.8	0.7	0.6	0.6	0.5	0.23	0.21	0.2	0.18	0.18	0.18	0.16	0.16
	19	J_1	Kgcm ²	2.1	2	2	1.8	1.7	1.5	1.5	1.4	1.3	0.7	0.7	0.7	0.7	0.7	0.6	0.5	0.5
	22	J_1	Kgcm ²	2.4	2.3	2.3	2.2	2.2	2.1	2.1	2.1	2	0.8	0.07	0.7	0.7	0.7	0.65	0.8	0.6

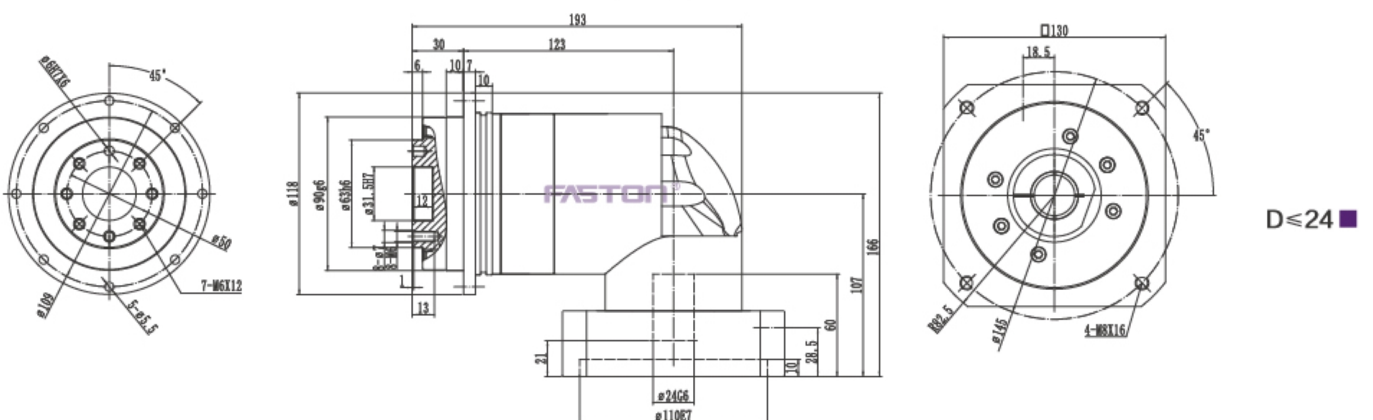
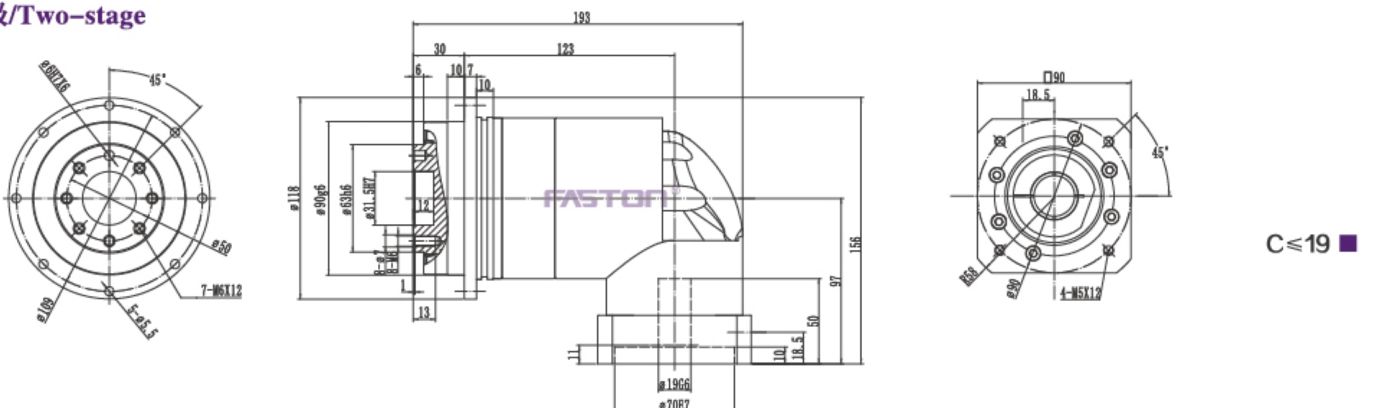
1. 可选其他减速比
2. 输出轴中心点
3. 连续运转时, 使用寿命为10000h
4. 对温度有特殊要求请与法斯頓联系

1. Optional other ratio
2. Output shaft center point
3. Service life of 10000h in continuous operation
4. For special requirements on temperature, please contact FASTON

单级/One-stage



双级/Two-stage



(1)请参照马达轴径尺寸
 (2)马达轴最长长度,如有特殊的马达轴尺寸,请与法斯頓联络
 (3)减速机输入端尺寸,依马达的法兰面而定
 *如无适合的尺寸,请与法斯頓联系

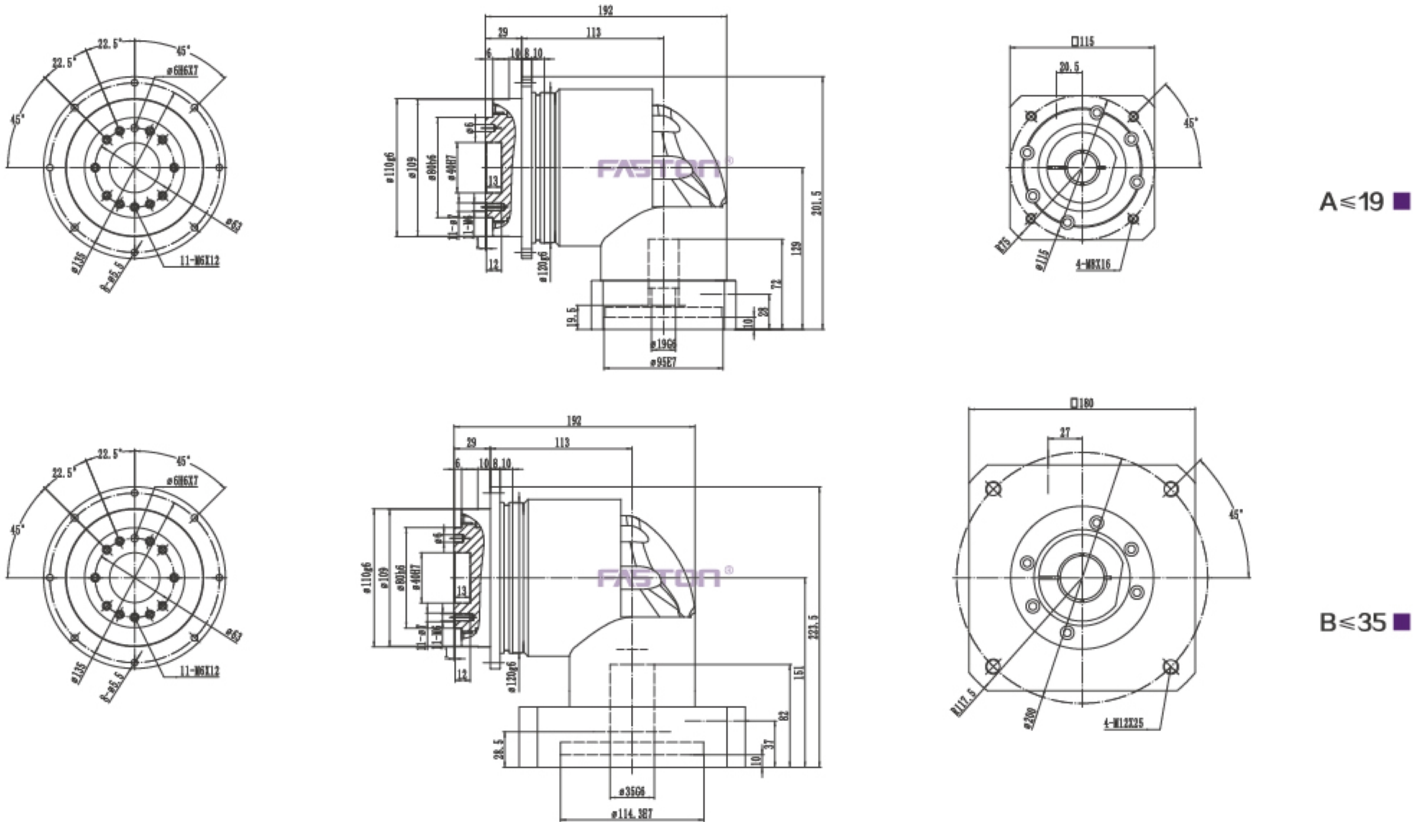
(1)Please refer to the motor shaft diameter
 (2)Motor shaft length,for special motor shaft size,please contact FASTON
 (3)Reducer input size,depending on the flange surface of the motor
 *If no suitable size available,please contact FASTON

FKDR110			单级/One-stage										双级/Two-stage							
速比 ⁽¹⁾ Speed ratio	i		4	5	6	7	8	9	10	16	20	16	20	25	35	40	50	70	100	
额定输出力矩(n_{1N}) Rated output torque	T_{2N}	Nm	290	330	300	300	260	230	230	260	230	290	290	330	300	330	330	300	230	
紧急制动力矩 Emergency braking torque (在减速机工作寿命内允许1000次) (1000 times during the working life of the reducer)	T_{2NOT}	Nm	3倍额定输出力矩/3 Times rated output torque																	
额定输入转速(T_{2n} , 20°C环境温度) Rated input speed (T_{2n} , 20 °C ambient temperature)	n_{1N}	rpm	3000																	
最大输入转速 Maximum input speed	n_{1max}	rpm	6000																	
空载力矩 ($n_l=3000rpm$, 20°C环境温度) No-load torque ($n_l=3000 RPM$, 20°C ambient temperature)	T_{012}	Nm	3	2.7	2.5	2	1.8	1.6	1.5	1.5	1.4	1.6	1.6	1.5	1.2	1	0.8	0.7	0.6	
回程间隙PS Backlash PS	j_t	Arcmin	≤ 2										≤ 3							
回程间隙P0 Backlash P0	j_t	Arcmin	≤ 4										≤ 5							
回程间隙P1 Backlash P1	j_t	Arcmin	≤ 6										≤ 7							
回程间隙P2 Backlash P2	j_t	Arcmin	≤ 8										≤ 9							
扭转刚度 Torsional stiffness	C_{t21}	Nm/Arcmin	25																	
最大轴向力 ⁽²⁾ Maximum axial force	F_{2AMax}	N	2990																	
最大倾侧力矩 Maximum bending torque	F_{2RMax}	Nm	430																	
工作效率 Work efficiency	η	%	95										92							
工作寿命 ⁽³⁾ Service life	L_h	h	20000																	
噪音 ($i=10$ 和 $n_1=3000rpm$, 空载) Noise ($i=10$ and $n_1=3000rpm$, no load)	L_{PA}	DB(A)	≤ 68																	
重量 Weight	m	Kg	8.8										10							
安装方向 Installation direction			任意方向/Any direction																	
使用温度 ⁽⁴⁾ Operating temperature	$^{\circ}C$		-10~90																	
润滑方式 Lubrication method			终生润滑/Lifetime lubrication																	
防护等级 Protection level			IP65																	
转动惯量 Moment of inertia 按减速机输入直径(mm) Input diameter based on the reducer(mm)	19	J_1	Kgcm ²	3	2.6	2.2	2	1.8	1.6	1.5	1.5	1.3	0.7	0.7	0.7	0.7	0.7	0.6	0.5	0.5
	22	J_1	Kgcm ²	5.6	4.5	4	3.5	3	2.7	2.5	2.3	2.1	1.8	1.8	1.7	1.7	1.6	1.4	1.4	1.4
	24	J_1	Kgcm ²	10.5	10	10	9.9	9.9	9.6	9.5	9	8.5	2.1	2.1	2	2	1.9	1.8	1.8	1.7

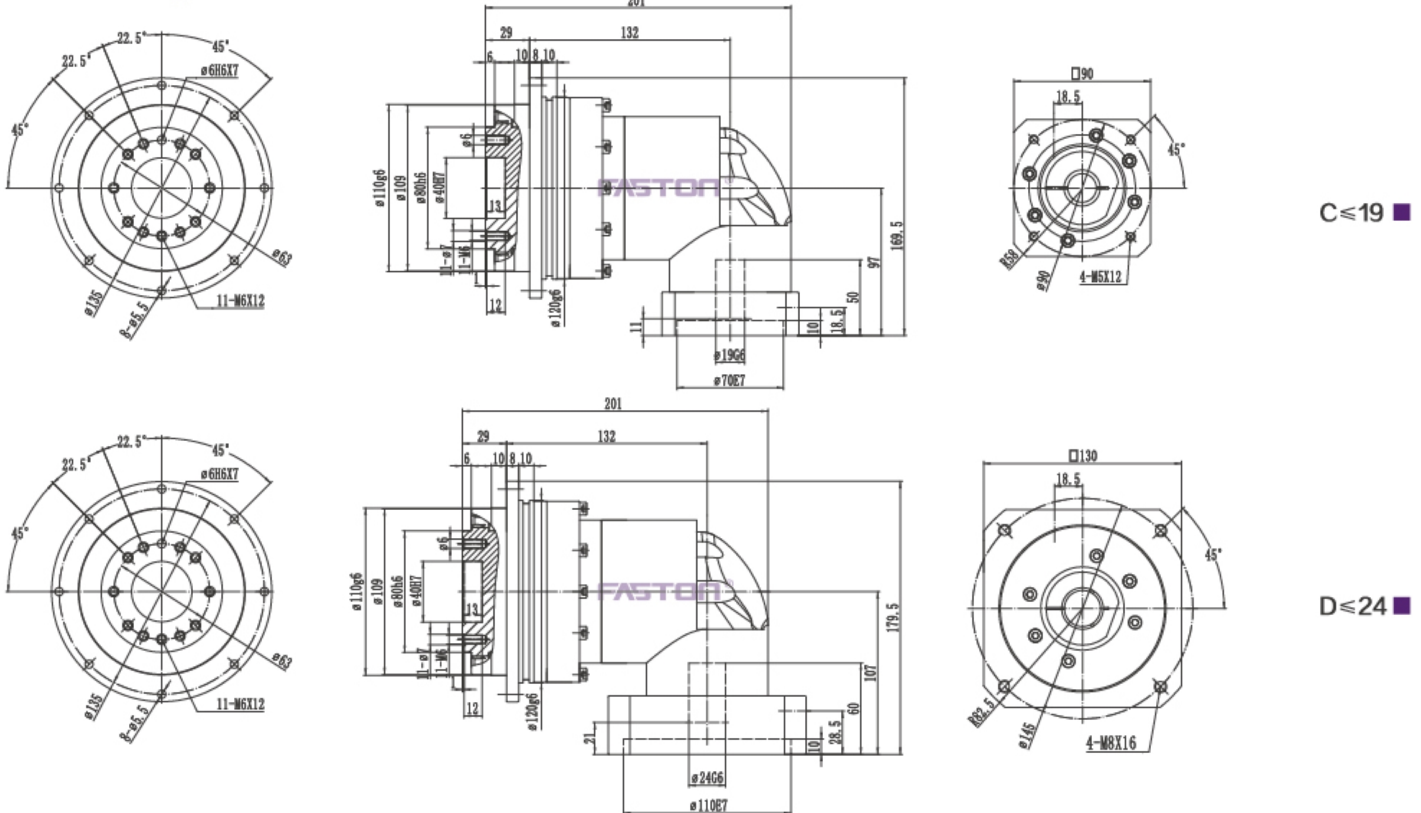
1. 可选其他减速比
2. 输出轴中心点
3. 连续运转时, 使用寿命为10000h
4. 对温度有特殊要求请与法斯頓联系

1. Optional other ratio
2. Output shaft center point
3. Service life of 10000h in continuous operation
4. For special requirements on temperature, please contact EASTON

单级/One-stage



双级/Two-stage



- (1) 请参照马达轴径尺寸
 - (2) 马达轴最长长度, 如有特殊的马达轴尺寸, 请与法斯頓联络
 - (3) 减速机输入端尺寸, 依马达的法兰面而定
- *如无适合的尺寸, 请与法斯頓联系

- (1) Please refer to the motor shaft diameter
 - (2) Motor shaft length, for special motor shaft size, please contact FASTON
 - (3) Reducer input size, depending on the flange surface of the motor
- *If no suitable size available, please contact FASTON

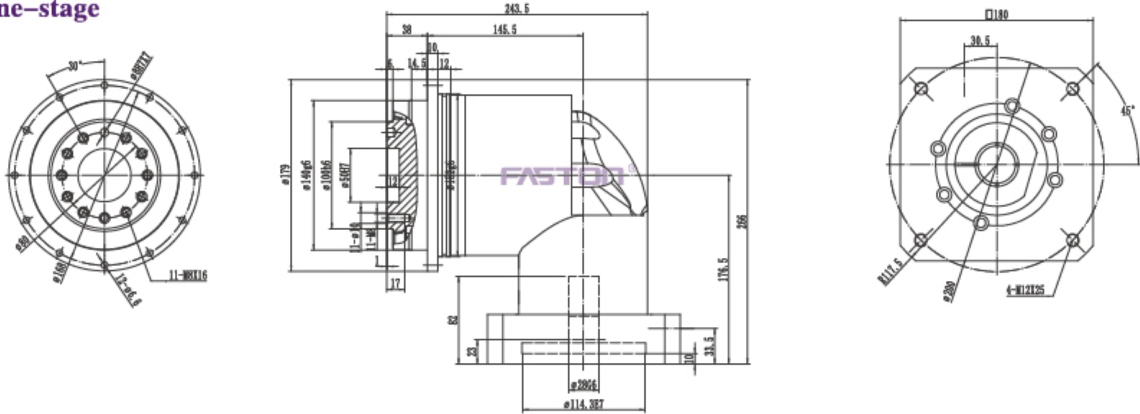
减速机性能资料 REDUCER PERFORMANCE DATA

FKDR142			单级/One-stage										双级/Two-stage							
速比 ⁽¹⁾ Speed ratio	i		4	5	6	7	8	9	10	16	20	16	20	25	35	40	50	70	100	
额定输出力矩(n _{1N}) Rated output torque	T _{2N}	Nm	542	650	550	550	500	450	450	500	450	542	542	650	550	542	650	550	450	
紧急制动力矩 (在减速机工作寿命内允许1000次) (1000 times during the working life of the reducer)	T _{2NOT}	Nm	3倍额定输出力矩/3 Times rated output torque																	
额定输入转速(T _{2n} , 20°C环境温度) Rated input speed (T _{2n} , 20 °C ambient temperature)	n _{1N}	rpm	3000																	
最大输入转速 Maximum input speed	n _{1max}	rpm	6000																	
空载力矩(n _l =3000rpm, 20°C环境温度) No-load torque (n _l =3000 RPM, 20°C ambient temperature)	T ₀₁₂	Nm	6	4.7	4.5	3.5	2.5	2.5	2.5	2.4	2.2	2.8	2.6	2.2	2.0	1.9	1.8	1.6	1.5	
回程间隙PS Backlash PS	j _t	Arcmin	≤2										≤3							
回程间隙P0 Backlash P0	j _t	Arcmin	≤4										≤5							
回程间隙P1 Backlash P1	j _t	Arcmin	≤6										≤7							
回程间隙P2 Backlash P2	j _t	Arcmin	≤8										≤9							
扭转刚度 Torsional stiffness	C _{t21}	Nm/Arcmin	50																	
最大轴向力 ⁽²⁾ Maximum axial force	F _{2AMax}	N	10590																	
最大倾侧力矩 Maximum bending torque	F _{2RMax}	Nm	1300																	
工作效率 Work efficiency	η	%	95										92							
工作寿命 ⁽³⁾ Service life	L _h	h	20000																	
噪音(i=10和n _l =3000rpm, 空载) Noise(i=10 and n _l =3000rpm, no load)	L _{PA}	DB(A)	≤70																	
重量 Weight	m	Kg	21										19							
安装方向 Installation direction			任意方向/Any direction																	
使用温度 ⁽⁴⁾ Operating temperature		°C	-10~90																	
润滑方式 Lubrication method			终生润滑/Lifetime lubrication																	
防护等级 Protection level			IP65																	
转动惯量 Moment of inertia 按减速机输入直径(mm) Input diameter based on the reducer (mm)	19	J ₁	Kgcm ²	8	8	7.2	7	6.5	5.8	5.5	5.2	5	2.2	2	1.7	1.7	1.6	1.4	1.4	1.4
	24	J ₁	Kgcm ²	12	11	10	10	9.5	9.5	9	9	8	3.2	3	2.9	2.7	2.5	2.3	2.2	2
	35	J ₁	Kgcm ²	25	24.5	24.1	23.5	23	22.5	22	22	20	12	11	10	10	9.5	9.5	9	9

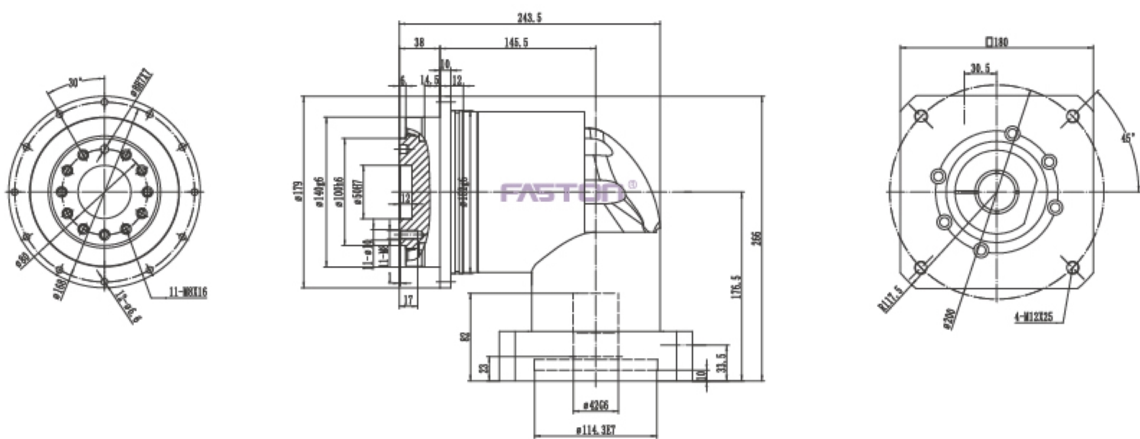
1. 可选其他减速比
 2. 输出轴中心点
 3. 连续运转时, 使用寿命为10000h
 4. 对温度有特殊要求请与法斯特联系

1. Optional other ratio
 2. Output shaft center point
 3. Service life of 10000h in continuous operation
 4. For special requirements on temperature, please contact FASTON

单级/One-stage

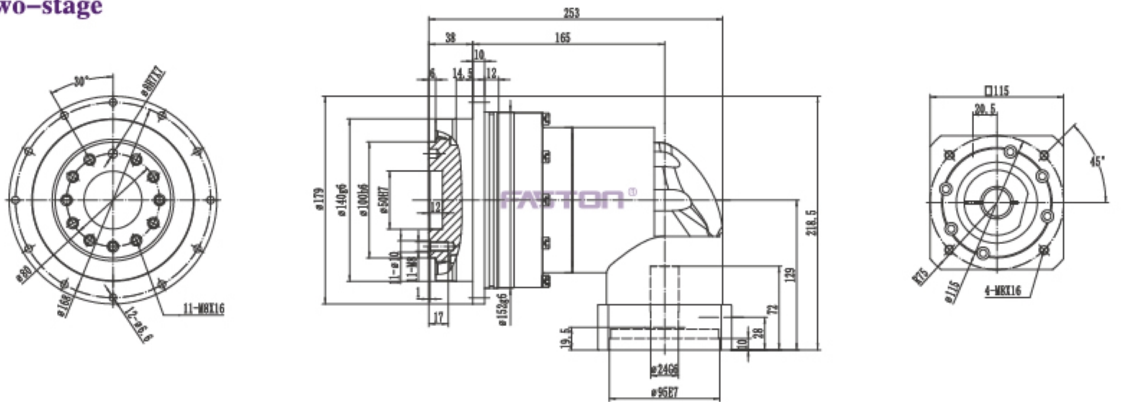


A ≤ 28 ■

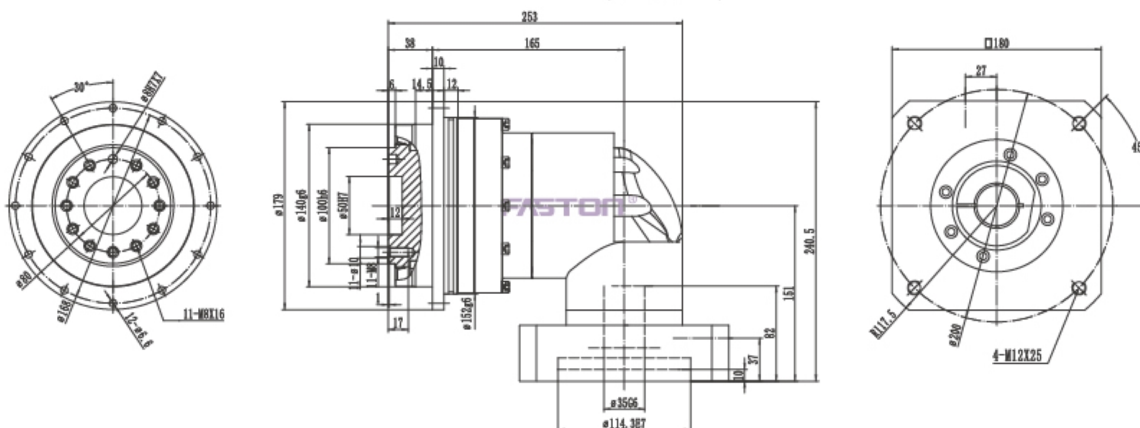


B ≤ 42 ■

双级/Two-stage



C ≤ 24 ■



D ≤ 35 ■

- (1) 请参照马达轴径尺寸
 - (2) 马达轴最长长度, 如有特殊的马达轴尺寸, 请与法斯頓联络
 - (3) 减速机输入端尺寸, 依马达的法兰面而定
- *如无适合的尺寸, 请与法斯頓联系

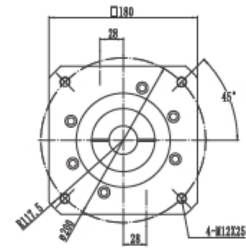
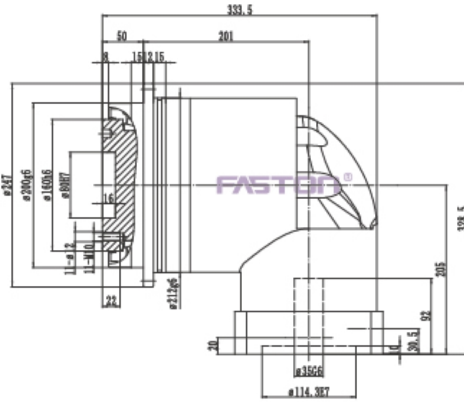
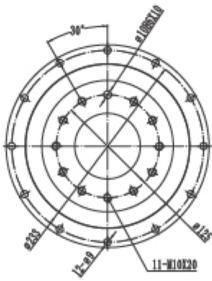
- (1) Please refer to the motor shaft diameter
 - (2) Motor shaft length, for special motor shaft size, please contact FASTON
 - (3) Reducer input size, depending on the flange surface of the motor
- *If no suitable size available, please contact FASTON

FKDR200			单级/One-stage									双级/Two-stage								
速比 ⁽¹⁾ Speed ratio	i		4	5	6	7	8	9	10	16	20	16	20	25	35	40	50	70	100	
额定输出力矩(n _{1N}) Rated output torque	T _{2N}	Nm	1050	1200	1100	1100	1000	900	900	1000	900	1050	1050	1200	1100	1020	1200	1100	900	
紧急制动力矩 Emergency braking torque (在减速机工作寿命内允许1000次) (1000 times during the working life of the reducer)	T _{2NOT}	Nm	3倍额定输出力矩/3 Times rated output torque																	
额定输入转速(T _{2N} , 20°C环境温度) Rated input speed (T _{2N} , 20 °C ambient temperature)	n _{1N}	rpm	3000																	
最大输入转速 Maximum input speed	n _{1max}	rpm	6000																	
空载力矩(n _l =3000rpm, 20°C环境温度) No-load torque (n _l =3000 RPM, 20°C ambient temperature)	T ₀₁₂	Nm	13	12	11	9	7.5	6.5	5.5	5.5	5	11	11	9	9	8	7	6.8	5	
回程间隙PS Backlash PS	j _t	Arcmin	≤2									≤3								
回程间隙P0 Backlash P0	j _t	Arcmin	≤4									≤5								
回程间隙P1 Backlash P1	j _t	Arcmin	≤6									≤7								
回程间隙P2 Backlash P2	j _t	Arcmin	≤8									≤9								
扭转刚度 Torsional stiffness	C _{t21}	Nm/Arcmin	145																	
最大轴向力 ⁽²⁾ Maximum axial force	F _{2AMax}	N	30000																	
最大倾侧力矩 Maximum bending torque	F _{2RMax}	Nm	3100																	
工作效率 Work efficiency	η	%	95									92								
工作寿命 ⁽³⁾ Service life	L _h	h	20000																	
噪音(i=10和n _l =3000rpm, 空载) Noise(i=10 and n _l =3000rpm, no load)	L _{PA}	DB(A)	≤72																	
重量 Weight	m	Kg	42									40								
安装方向 Installation direction	任意方向/Any direction																			
使用温度 ⁽⁴⁾ Operating temperature	℃																			
润滑方式 Lubrication method	终生润滑/Lifetime lubrication																			
防护等级 Protection level	IP65																			
转动惯量 Moment of inertia 按减速机输入直径(mm) Input diameter based on the reducer(mm)	24	J ₁	Kgcm ²	35	30	25	23	22	20	19	5.2	5	9	8.8	8.2	7.9	7.5	6.8	6.2	5.5
	32	J ₁	Kgcm ²	41	37	36	35	32	30	28	9	8	11.4	10.9	10.2	9.8	9.7	9.3	9.0	8.5
	35	J ₁	Kgcm ²	50	44	42	40	38	36	36	2.1	20	12.1	11	10.5	10.2	10	9.9	9.8	9.5

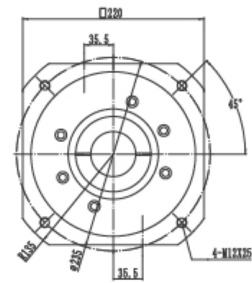
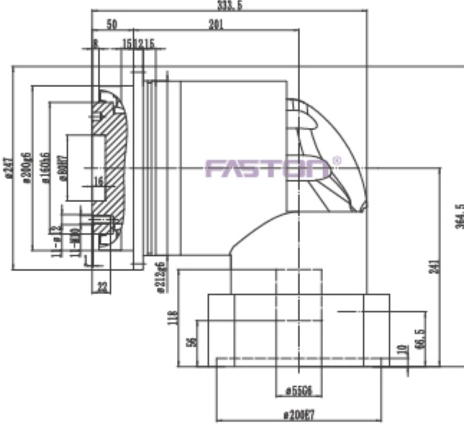
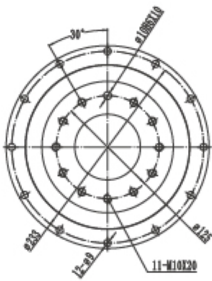
1. 可选其他减速比
2. 输出轴中心点
3. 连续运转时, 使用寿命为10000h
4. 对温度有特殊要求请与法斯頓联系

1. Optional other ratio
2. Output shaft center point
3. Service life of 10000h in continuous operation
4. For special requirements on temperature, please contact FASTON

单级/One-stage

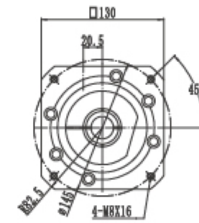
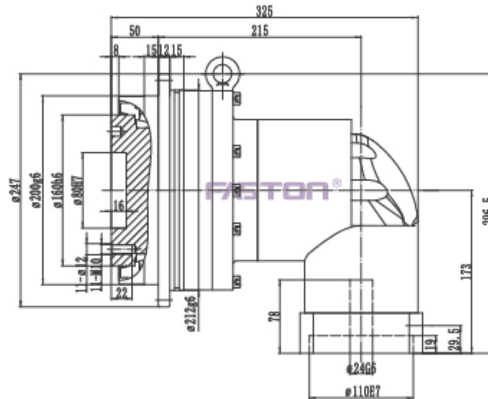
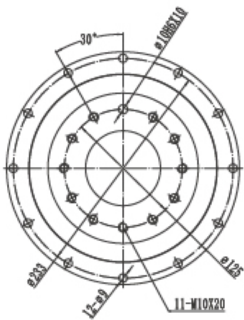


A ≤ 35

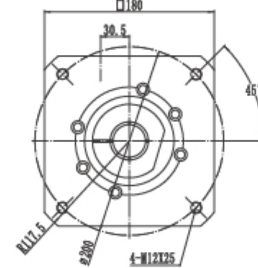
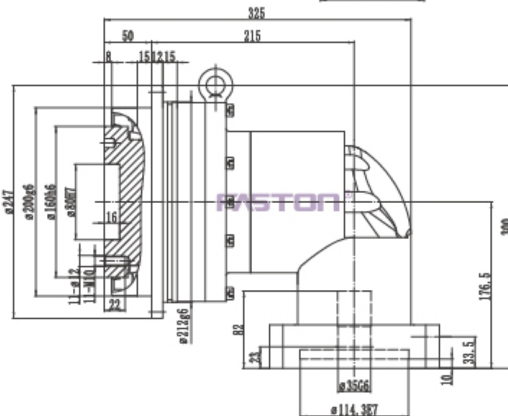
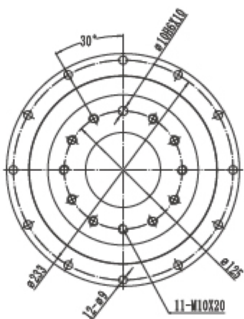


B ≤ 55

双级/Two-stage



C ≤ 24



D ≤ 35

- (1) 请参照马达轴径尺寸
 - (2) 马达轴最长长度, 如有特殊的马达轴尺寸, 请与法斯頓联络
 - (3) 减速机输入端尺寸, 依马达的法兰面而定
- *如无适合的尺寸, 请与法斯頓联系

- (1) Please refer to the motor shaft diameter
 - (2) Motor shaft length, for special motor shaft size, please contact FASTON
 - (3) Reducer input size, depending on the flange surface of the motor
- *If no suitable size available, please contact FASTON

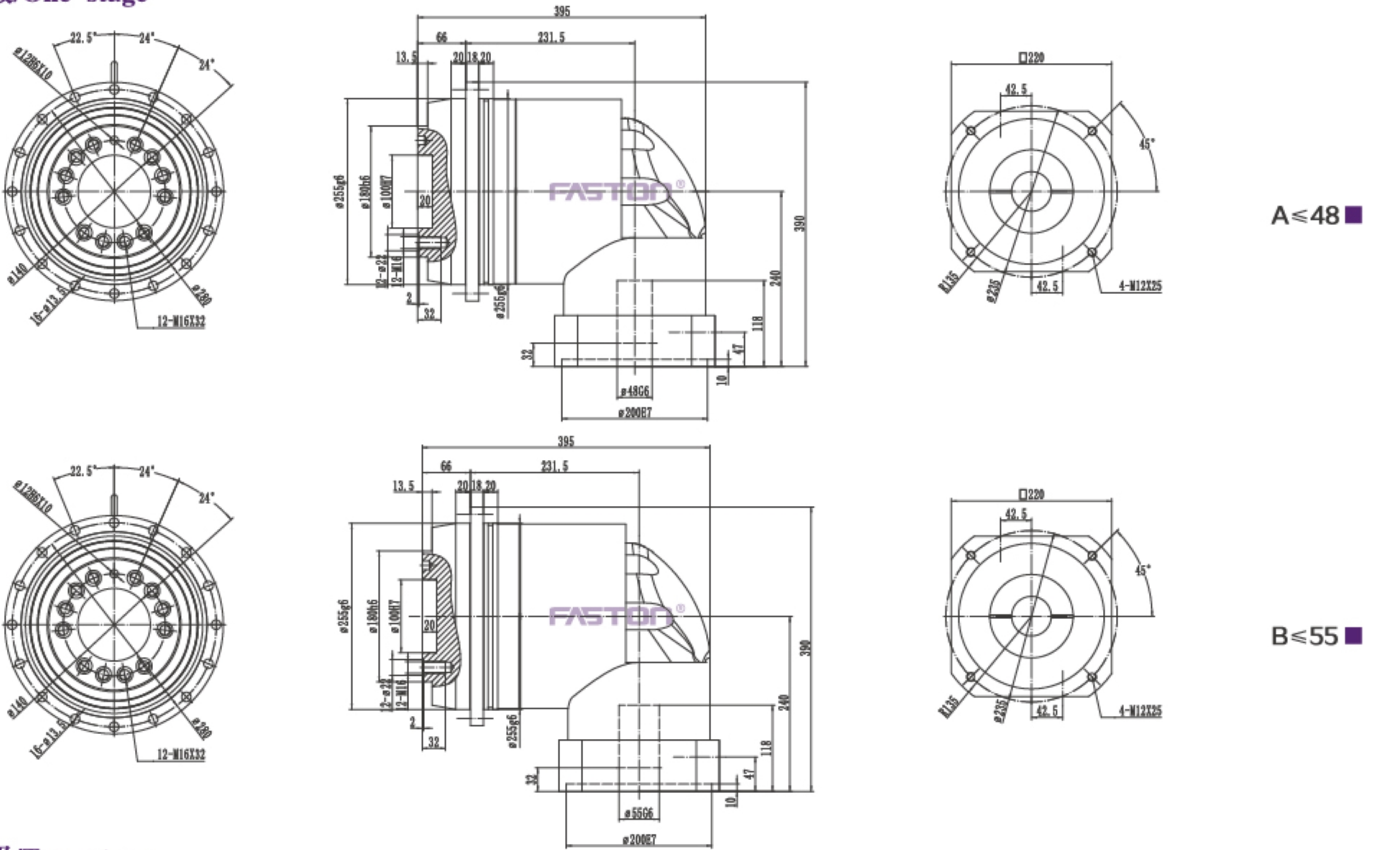
减速机性能资料 REDUCER PERFORMANCE DATA

FKDR255			单级/One-stage								双级/Two-stage									
速比 ⁽¹⁾ Speed ratio	i		4	5	6	7	8	9	10	16	20	16	20	25	35	40	50	70	100	
额定输出力矩(n _{1N}) Rated output torque	T _{2N}	Nm	1700	2000	1800	1800	1600	1500	1500	1600	1500	1700	1700	2000	1800	1700	2000	1800	1500	
紧急制动力矩 Emergency braking torque (在减速机使用寿命内允许1000次) (1000 times during the working life of the reducer)	T _{2NOT}	Nm	3倍额定输出力矩/3 Times rated output torque																	
额定输入转速(T _{2N} , 20°C环境温度) Rated input speed (T _{2N} , 20 °C ambient temperature)	n _{1N}	rpm	2000																	
最大输入转速 Maximum input speed	n _{1max}	rpm	4000																	
空载力矩(n ₁ =3000rpm, 20°C环境温度) No-load torque (n ₁ =3000 RPM, 20°C ambient temperature)	T ₀₁₂	Nm	22	17	8	6	5	4.5	3.5	3.4	3.2	11	11	9	9	8	7	6.8	5	
回程间隙PS Backlash PS	j _t	Arcmin	≤2								≤3									
回程间隙P0 Backlash P0	j _t	Arcmin	≤4								≤5									
回程间隙P1 Backlash P1	j _t	Arcmin	≤6								≤7									
回程间隙P2 Backlash P2	j _t	Arcmin	≤8								≤9									
扭转刚度 Torsional stiffness	C _{i21}	Nm/Arcmin	225																	
最大轴向力 ⁽²⁾ Maximum axial force	F _{2AMax}	N	30000																	
最大倾侧力矩 Maximum bending torque	F _{2RMax}	Nm	5900																	
工作效率 Work efficiency	η	%	95								92									
工作寿命 ⁽³⁾ Service life	L _h	h	20000																	
噪音(i=10和n ₁ =3000rpm, 空载) Noise(i=10 and n ₁ =3000rpm, no load)	L _{PA}	DB(A)	≤74																	
重量 Weight	m	Kg	78								77									
安装方向 Installation direction			任意方向/Any direction																	
使用温度 ⁽⁴⁾ Operating temperature	℃		-10~90																	
润滑方式 Lubrication method			终生润滑/Lifetime lubrication																	
防护等级 Protection level			IP65																	
转动惯量 Moment of inertia 按减速机输入直径(mm) Input diameter based on the reducer (mm)	42	J ₁	Kgcm ²	70	68	65	55	52	45	40	40	35	16	5.5	14	14	13	12	10.8	9.5
	55	J ₁	Kgcm ²	95	77	75	68	65	60	55	54	50	28	27	26.5	25.5	24	23	21	19.5

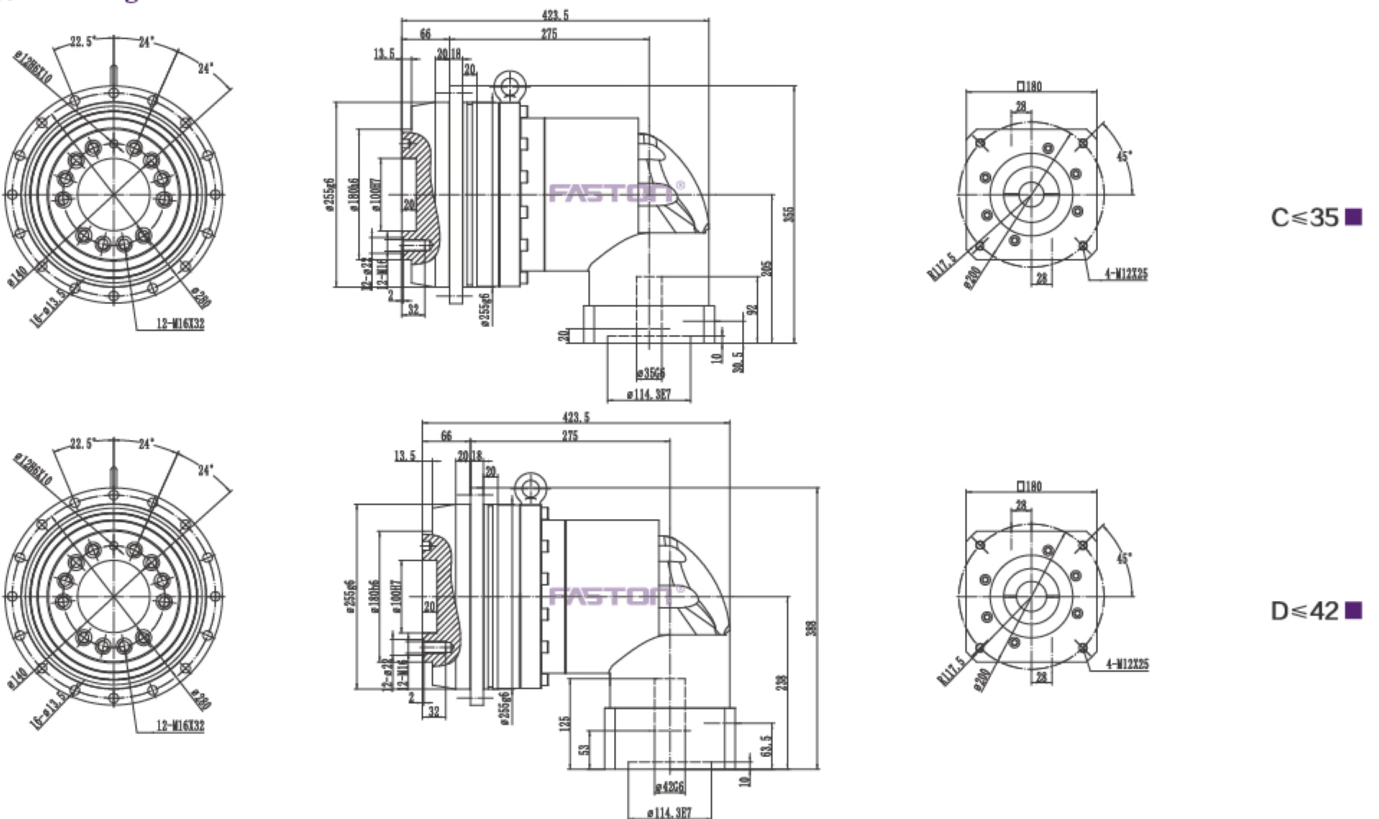
1. 可选其他减速比
2. 输出轴中心点
3. 连续运转时, 使用寿命为10000h
4. 对温度有特殊要求请与法斯頓联系

1. Optional other ratio
2. Output shaft center point
3. Service life of 10000h in continuous operation
4. For special requirements on temperature, please contact FASTON

单级/One-stage

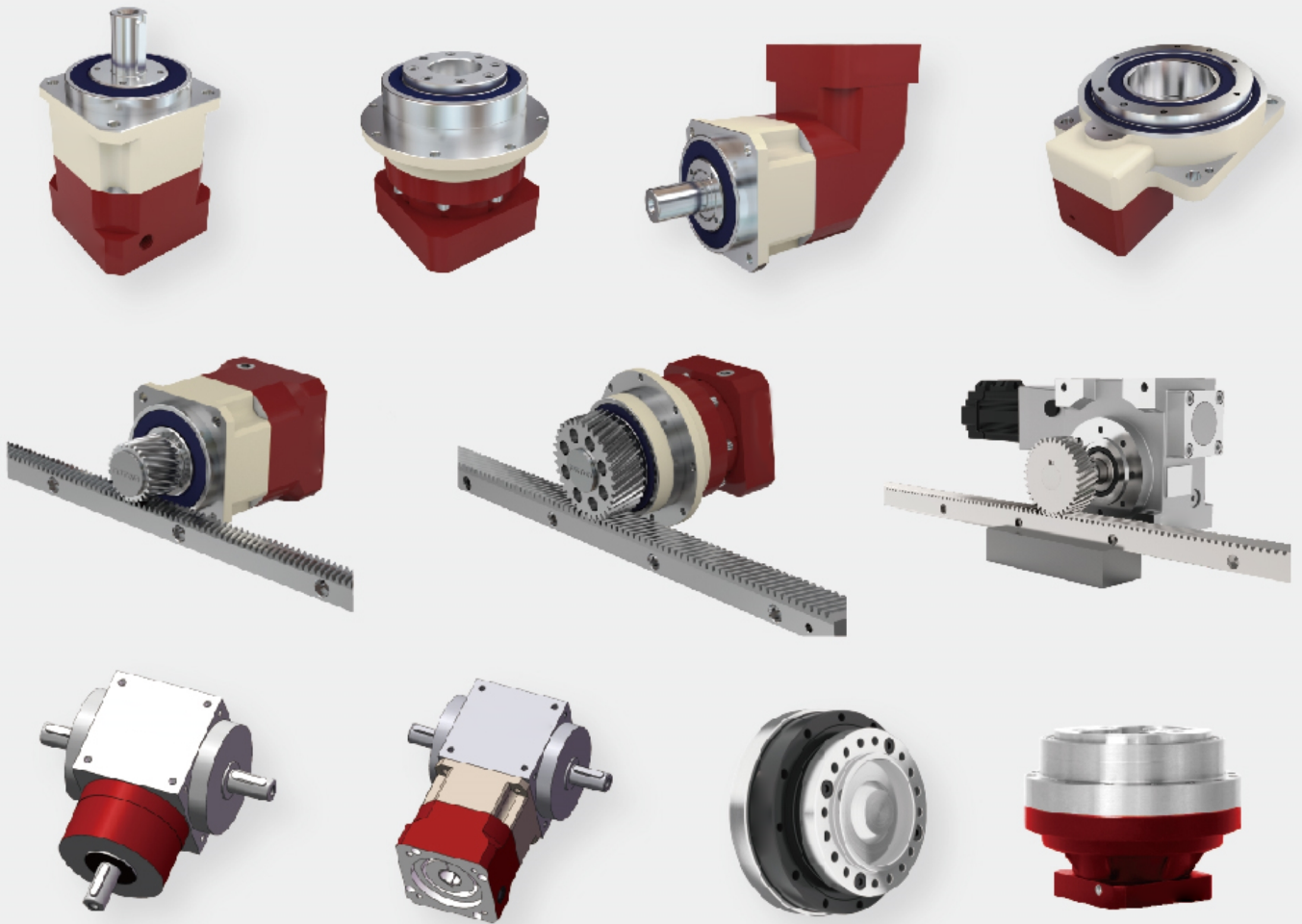


双级/Two-stage



- (1) 请参照马达轴径尺寸
 - (2) 马达轴最长长度, 如有特殊的马达轴尺寸, 请与法斯頓联络
 - (3) 减速机输入端尺寸, 依马达的法兰面而定
- *如无适合的尺寸, 请与法斯頓联系

- (1) Please refer to the motor shaft diameter
 - (2) Motor shaft length, for special motor shaft size, please contact FASTON
 - (3) Reducer input size, depending on the flange surface of the motor
- *If no suitable size available, please contact FASTON



東莞公司
Dongguan Company

東莞市精杰機電有限公司
地址：廣東省東莞市樟木頭石新東城四街23號
電話：13549217001 / 400-028-8380
聯系人：江先生13802379590
網址：www.jingjielw.com

Dongguan Jingjie Electromechanical Co., Ltd
Address: No.23, Xindongcheng Fourth Street, Zhangmutou, Dongguan, Guangdong Province
Tel: 13549217001/400-028-8380
Contact person: Mr. Jiang 13802379590
Website: www.jingjielw.com



惠州公司
Huizhou Company

精杰機電（惠州）公司
地址：廣東惠州仲愷高新區陳江大道南19號
華廷悅府6棟1104室
電話：13549217001 / 400-028-8380
聯系人：劉小姐13802397290
網址：www.jingjielw.com

Jingjie Electromechanical (Huizhou) Co., Ltd
Address: No. 19, Chenjiang Avenue South, Zhongkai High tech Zone, Huizhou, Guangdong Room 1104, Building 6, Huating Yuefu
Tel: 13549217001/400-028-8380
Contact: Miss Liu 13802397290
Website: www.jingjielw.com



精杰機電

廣東省東莞市樟木頭石新東城四街23號 東莞市精杰機電有限公司 0769-83802397 13549217001

廣東省惠州仲愷高新區陳江大道南19號

華廷悅府6棟1104室 精杰機電（惠州）有限公司 0752-397290 13549217001

www.jingjielw.com

子機

網址：www.jingjielw.com